

Miami 10G

Pre-MP BUILD

2007 0518

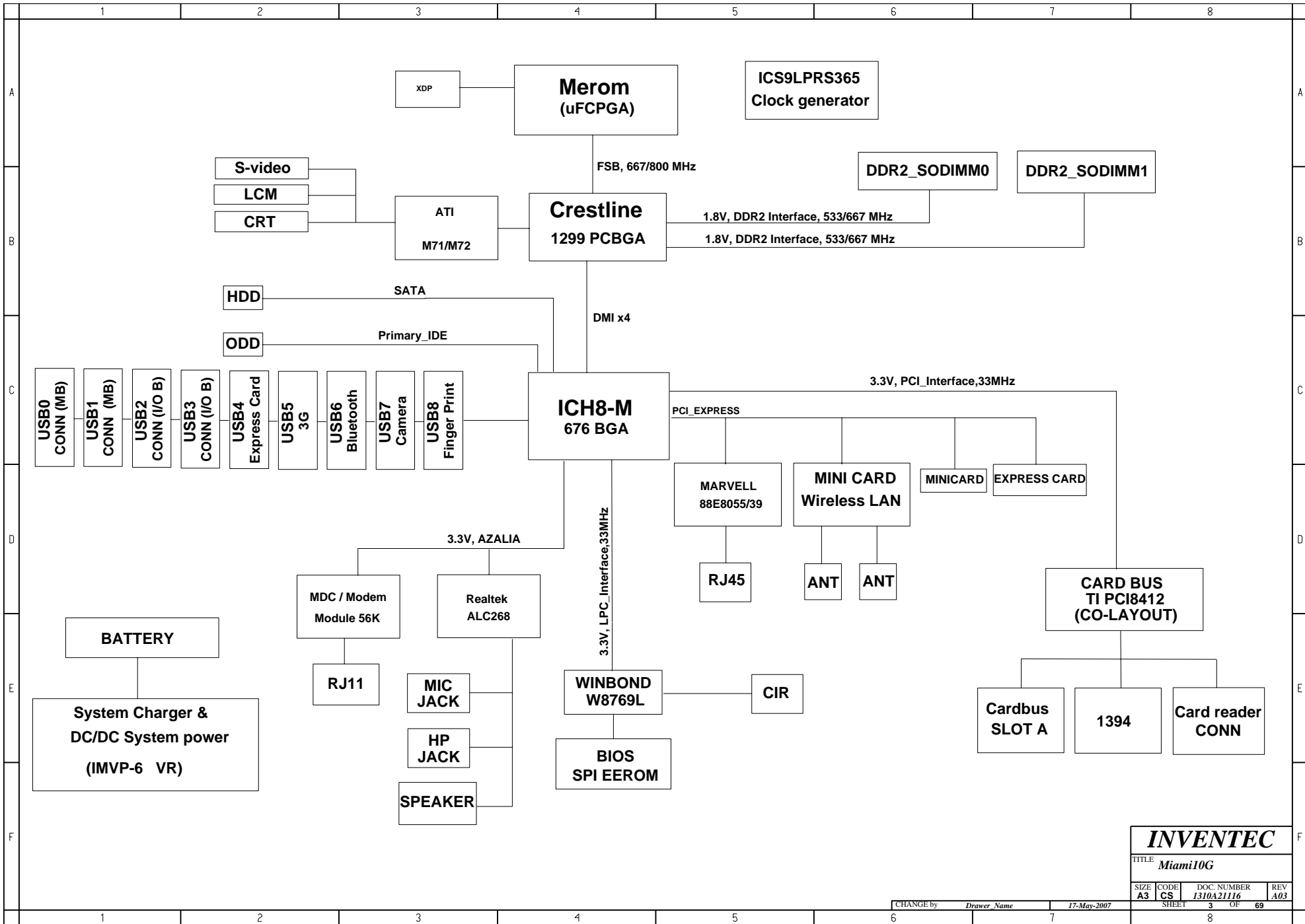
DATE	CHANGE NO.	REV

DRAWER	EE	DATE	POWER	DATE	INVENTEC			
DESIGN					TITLE <i>Miami10G</i>			
CHECK								
RESPONSIBLE								
SIZE =	3			VER :	SIZE	CODE	DOC. NUMBER	REV
FILE NAME :	XXXX-XXXXXX-XX				A3	CS	1310A21116	A03
P/N	XXXXXXXXXXXX						SHEET 1 OF 69	

TABLE OF CONTENTS

PAGE	PAGE	PAGE
1.COVER PAGE	28.DDR2 DIMM0	54.USB CONN
2.INDEX	29.DDR2 DIMM1	55.BLUE TOOTH CONN
3.BLOCK DIAGRAM	30.DDR2 DAMPING	56.SIM CARD & 3G CONN
4.POWER SEQUENCE BLOCK	31.ATI-M72-M-1	57.SUPER I/O (KBC)
5.DC&BATTERY CHARGER	32.ATI-M72-M-2	58.K/B & TP/B CONN
6.BATTERY CONN	33.ATI-M72-M-3	59.FINGERPRINT & CAMERA CONN & CIR
7.SYSTEM POWER (3V/5V)	34.ATI-M72-M-4	60.AZALIA CODEC
8.SYSTEM POWER (+V1.8S/+V0.9S)	35.ATI-M72-M-5	61.AUDIO AMP & MIC & HP
9.SYSTEM POWER (+V1.5S/+V1.25S)	36.VRAM DDR2-1	62.MDC 1.5 CONN
10.+VCCP/+VGA_VDD/+VPCIE	37.VRAM DDR2-2	63.KILL & LIDSWITCH & LED
11.+VDD_CORE	38.LCD CONN	64.CRT & SVIDEO DB
13.+VCC_CORE/VCORE_EN/PM_PWROK	39.S/B ICH8 1	65.USB (DB)
14.POWER (SLEEP)	40.S/B ICH8 2	67.PICK BUTTON BOARD
15.CLOCK GENERATOR	41.S/B ICH8 3	68.EMI
16.CPU Merom1	42.S/B ICH8 4	69.DRILL HOLE
17.CPU Merom2	43.S/B ICH8 5	
18.CPU Merom3	44.CARDBUS CONTROLLER	
19.CPU Merom4	45.PCMCIA CONN	
20.FAN & THERMAL CONTROLLER	46.5 IN 1 CARD SLOT	
21.N/B Calistoga 1	47.1394 CONTROLLER	
22.N/B Calistoga 2	48.EXPRESS CARD CONN	
23.N/B Calistoga 3	49.LAN CONTROLLER	
24.N/B Calistoga 4	50.RJ11/45 & TRANSFORMER	
25.N/B Calistoga 5	51.WLAN MINI CARD CONN	
26.N/B Calistoga 6	52.SATA HDD CONN	
27.N/B Calistoga 7	53.ODD CONN	

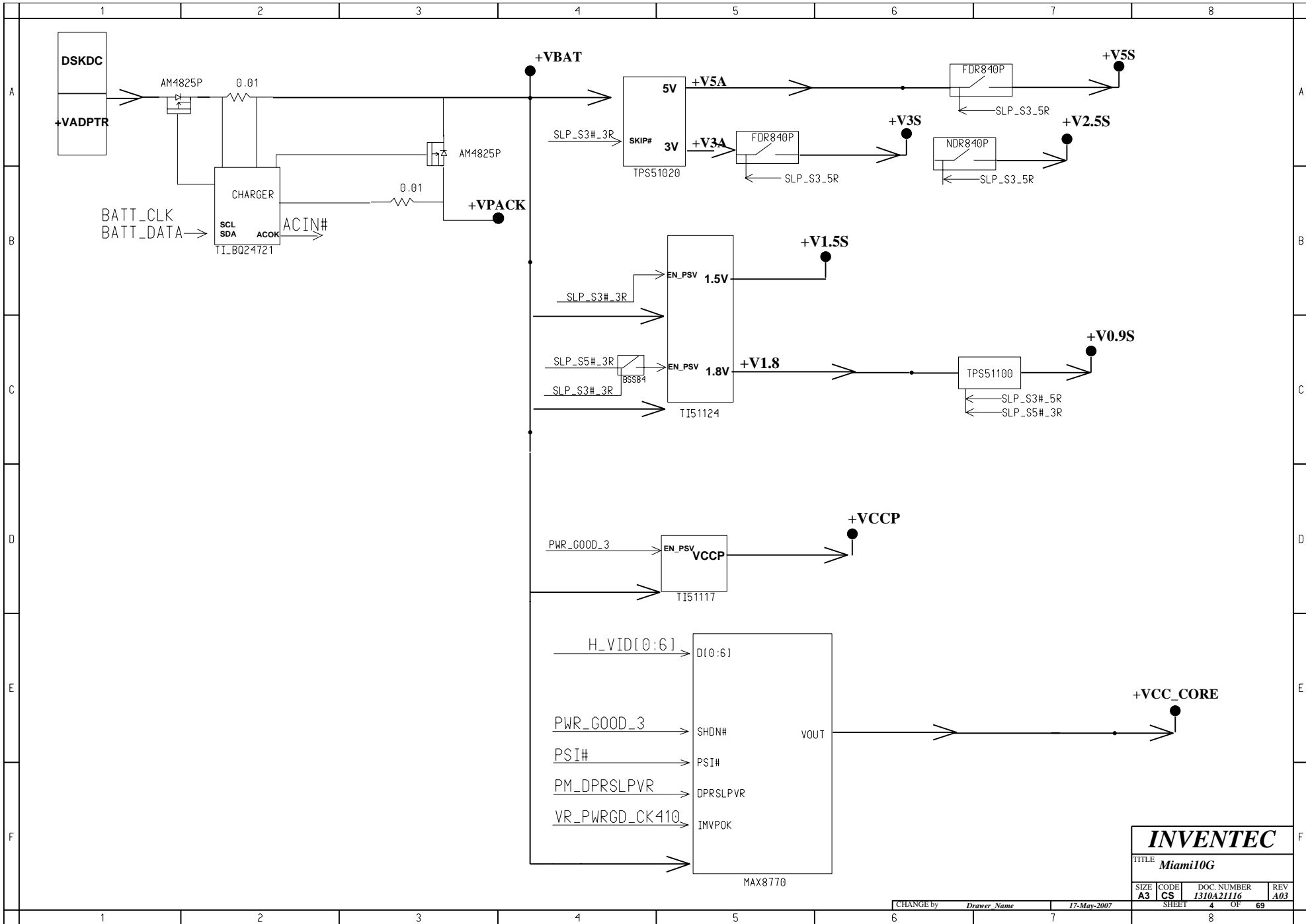
INVENTEC			
TITLE <i>Miami10G</i>			
SIZE A3	CODE CS	DOC. NUMBER <i>1310A21116</i>	REV A03
CHANGE by <i>Drawer Name</i>		17-May-2007	
SHEET		2 OF 69	



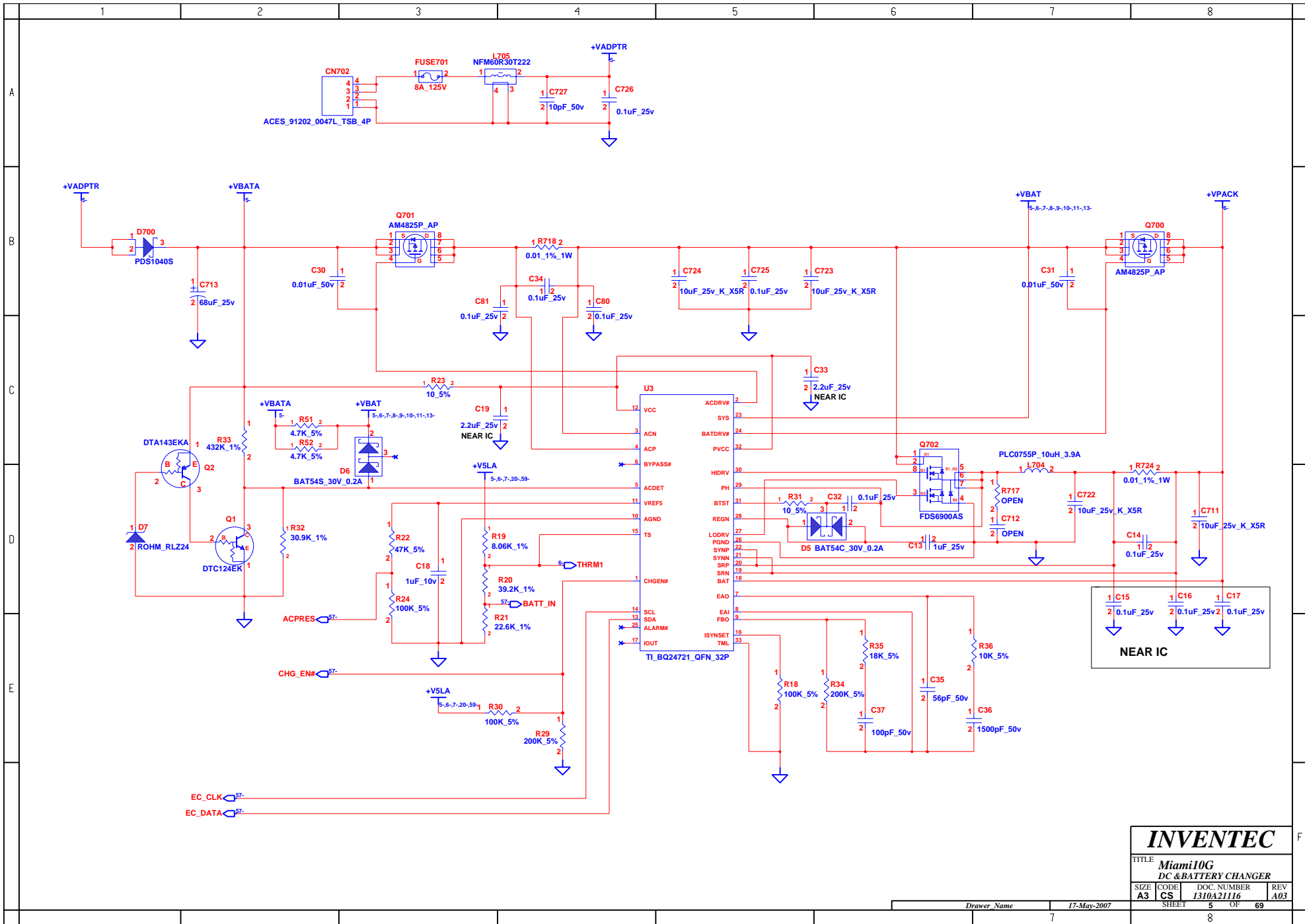
INVENTEC

TITLE *Miami10G*

SIZE A3	CODE CS	DOC. NUMBER <i>1310A21116</i>	REV A03
CHANGE by <i>Drawer Name</i>		17-May-2007	
SHEET 3		OF 69	



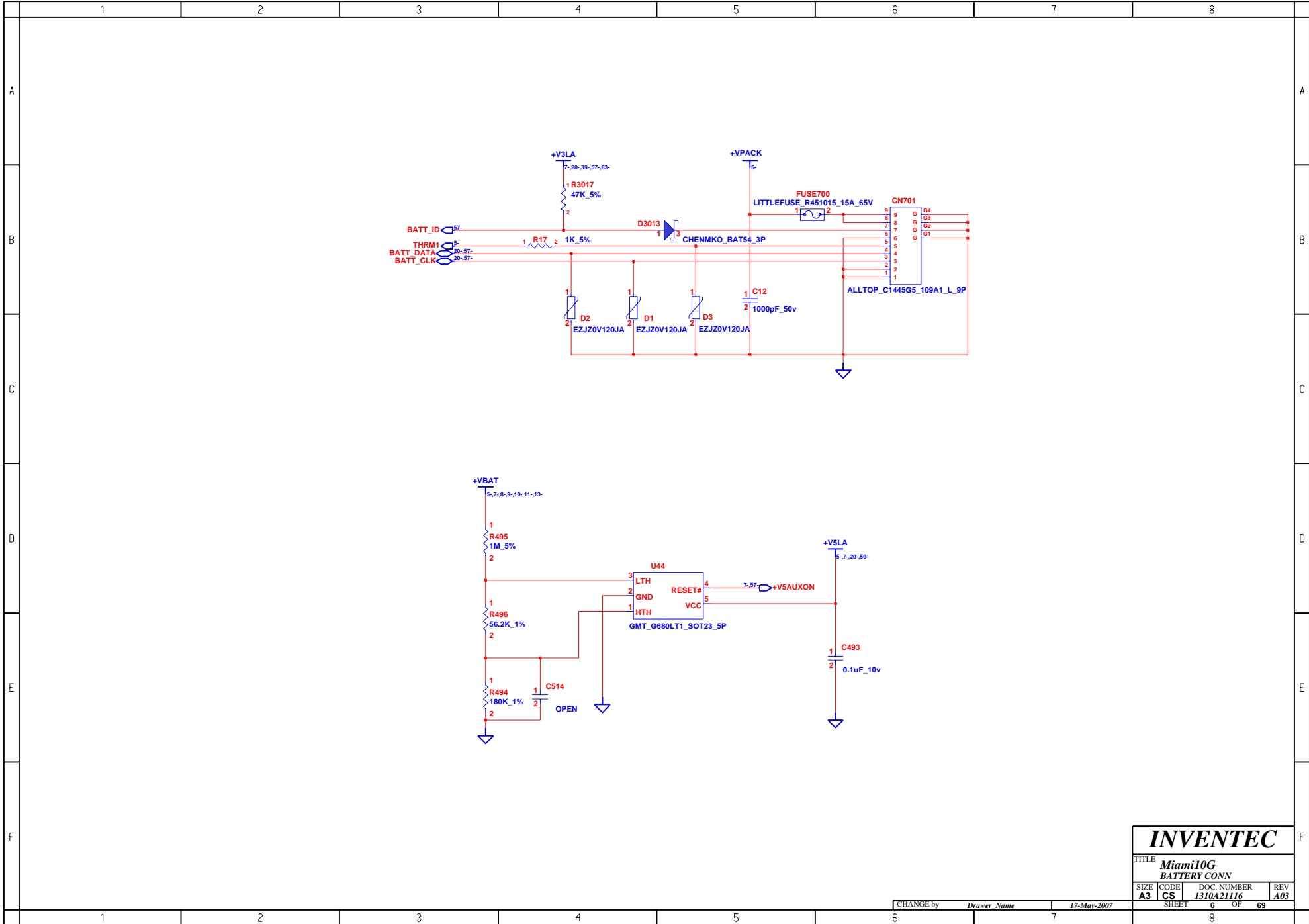
INVENTEC			
TITLE Miami10G			
SIZE A3	CODE CS	DOC. NUMBER 1310A21116	REV A03
CHANGE by <i>Drawer Name</i>		17-May-2007	
SHEET 4		OF 69	



INVENTEC

TITLE
Miami10G
 DC & BATTERY CHANGER

SIZE A3	CODE CS	DOC. NUMBER 1310A21116	REV A03
------------	------------	---------------------------	------------

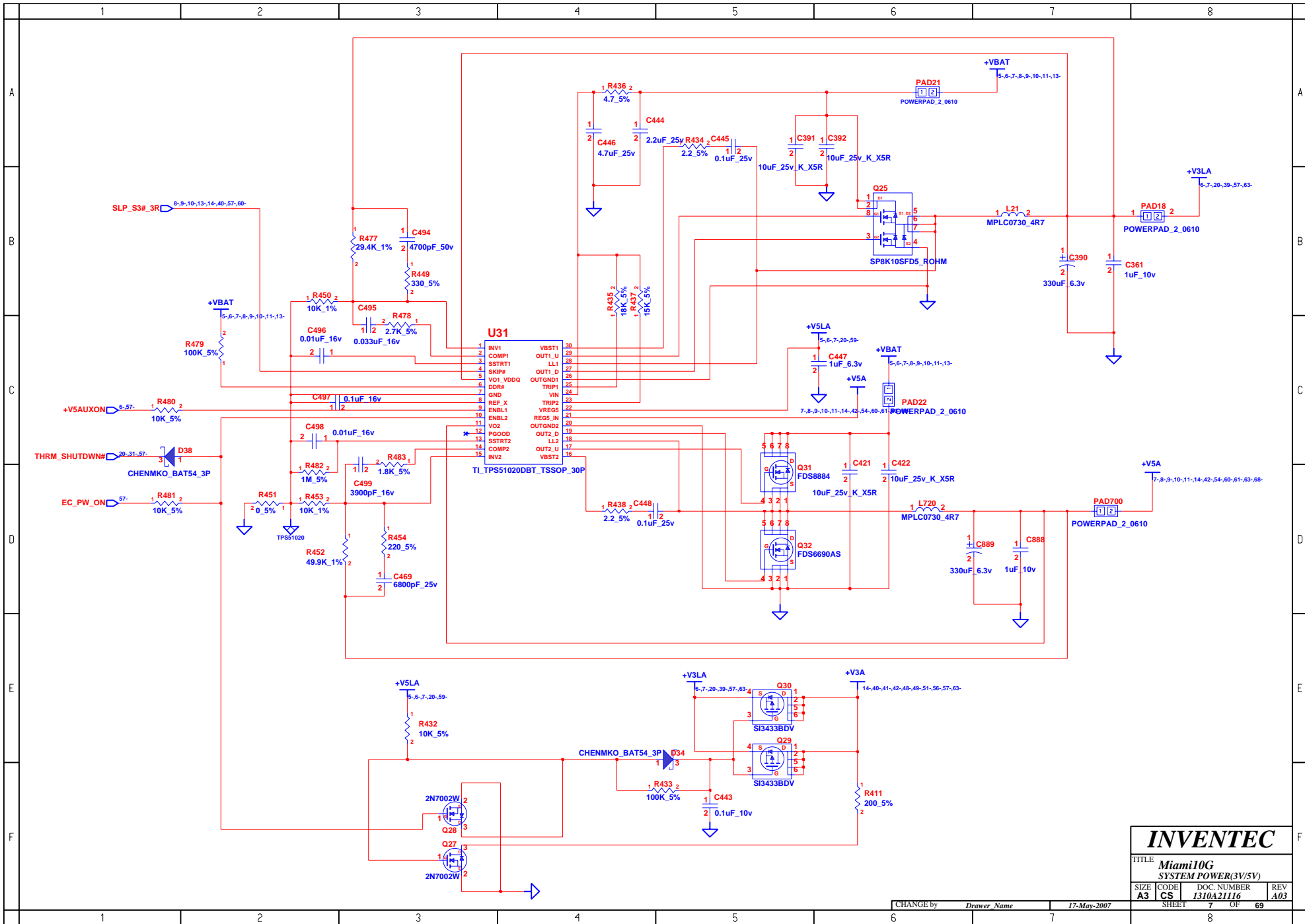


INVENTEC

TITLE			
Miami10G BATTERY CONN			
SIZE	CODE	DOC. NUMBER	REV
A3	CS	1310A21116	A03

CHANGE by *Drawer Name* 17-May-2007

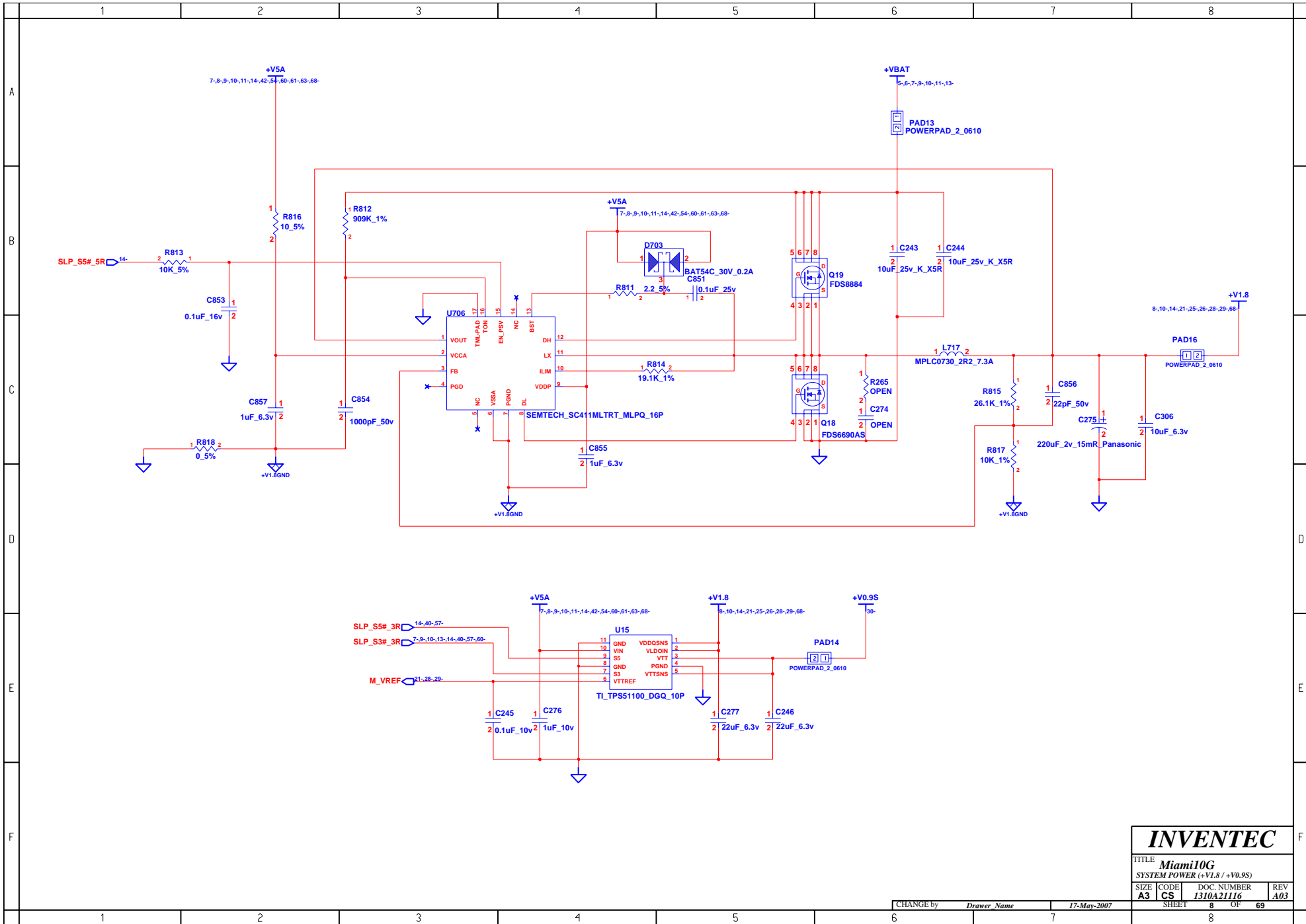
SHEET 6 OF 69



INVENTEC

TITLE
Miami10G
 SYSTEM POWER(3V/5V)

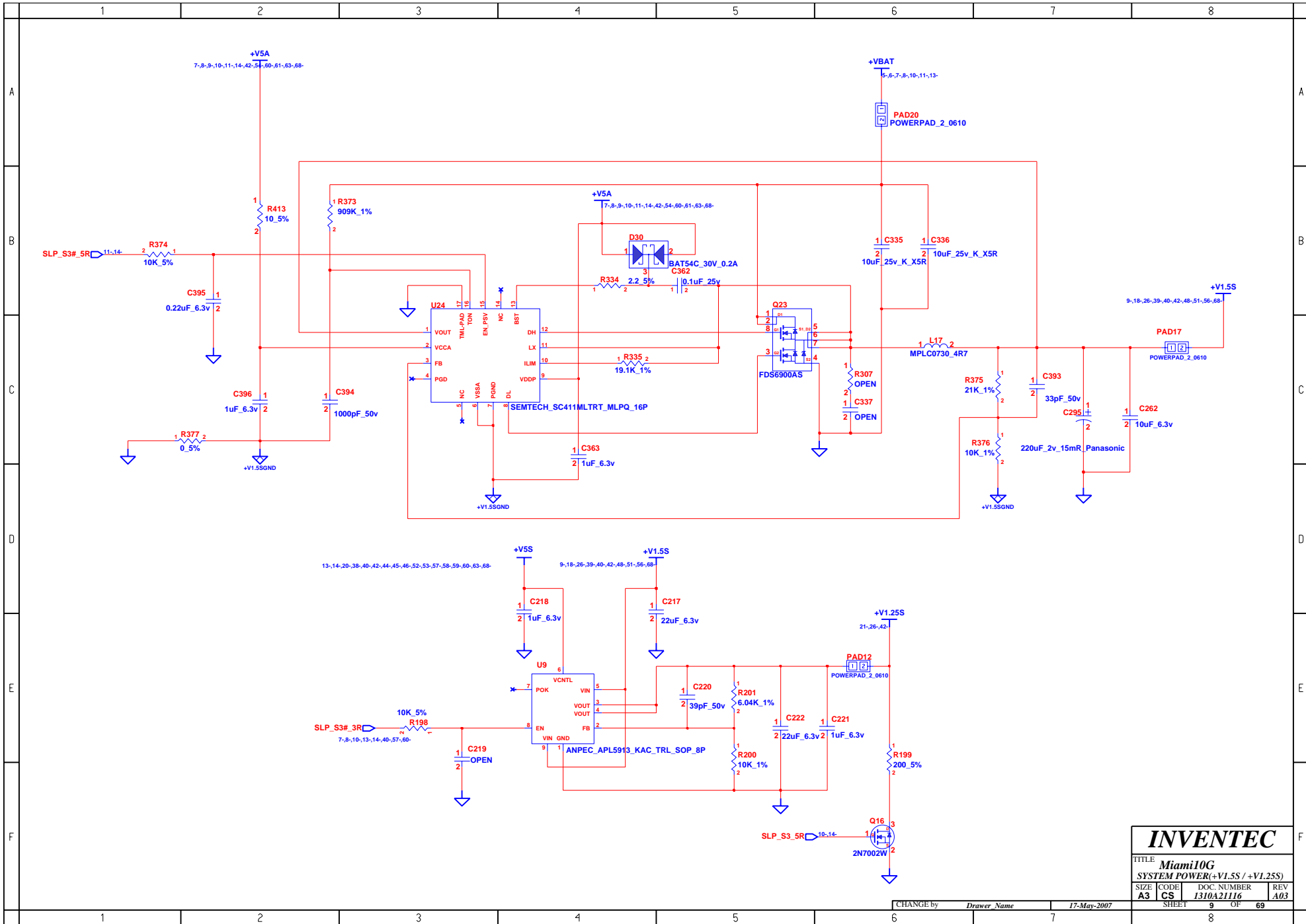
SIZE	CODE	DOC. NUMBER	REV
A3	CS	I310A21116	A03



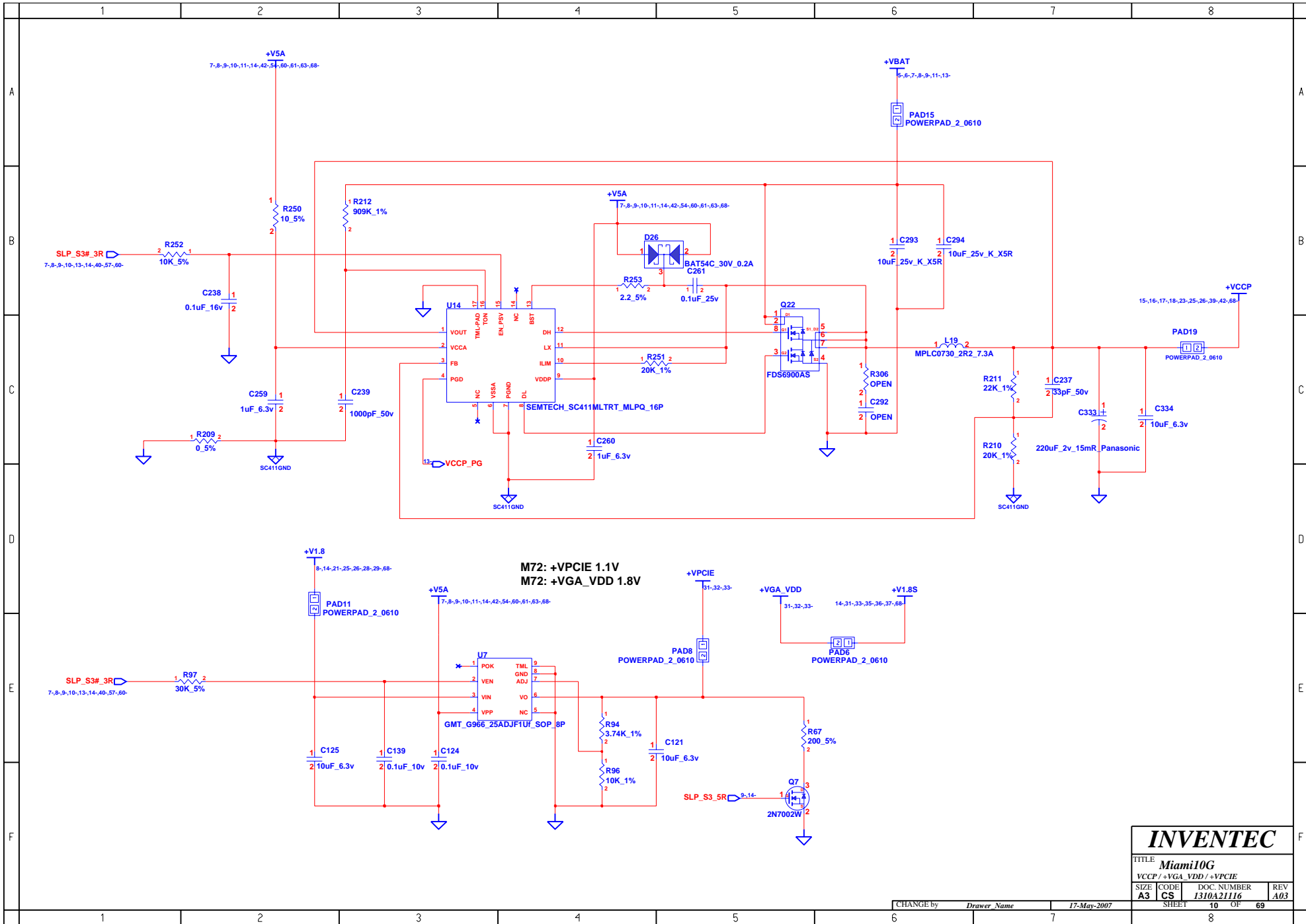
INVENTEC

TITLE			
Miami10G			
SYSTEM POWER (+V1.8 / +V0.9S)			
SIZE	CODE	DOC. NUMBER	REV
A3	CS	I310A21116	A03

CHANGE by	Drawer Name	17-May-2007	SHEET	8	OF	69
-----------	-------------	-------------	-------	---	----	----

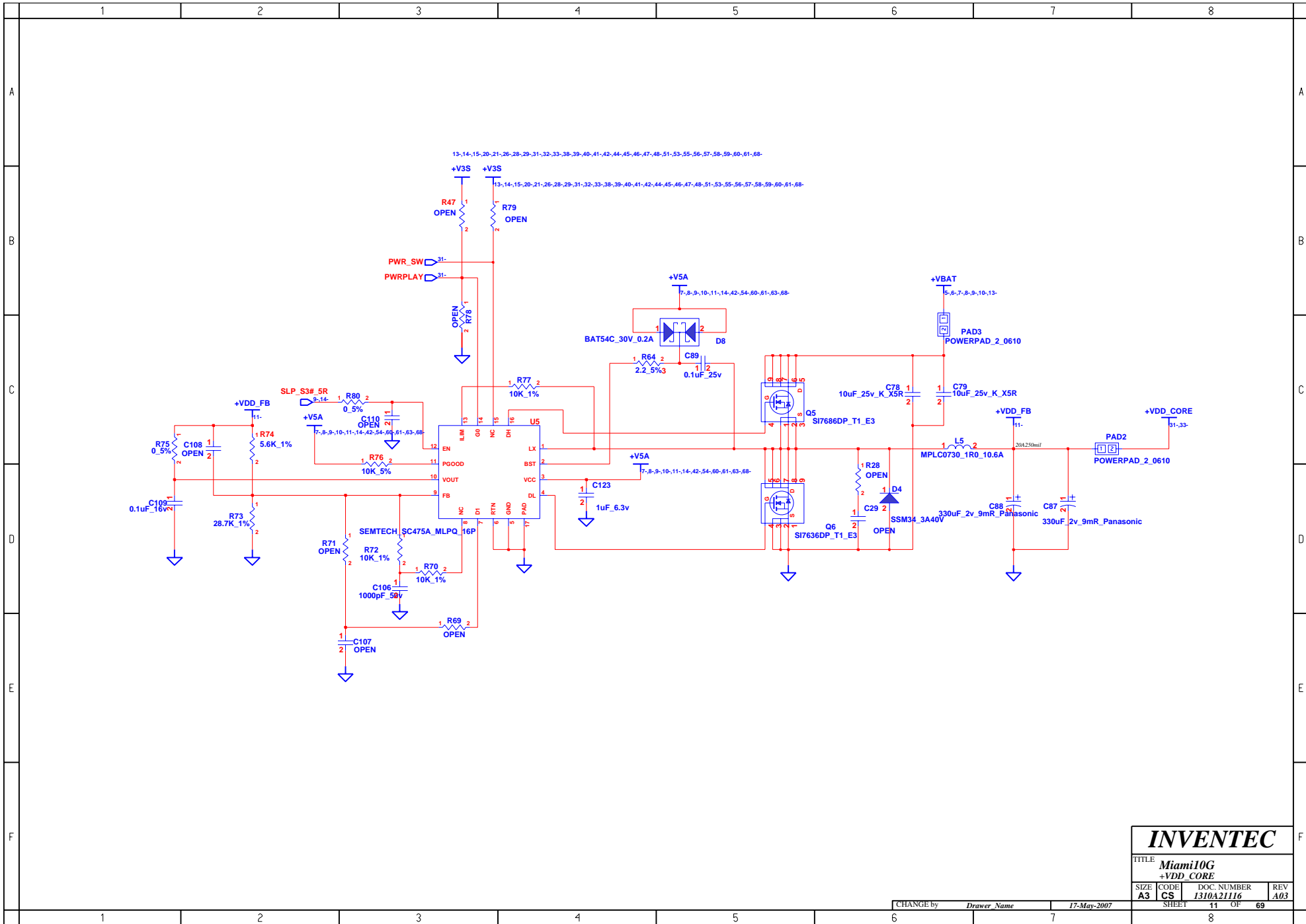


INVENTEC			
TITLE Miami10G			
SYSTEM POWER(+V1.5S / +V1.25S)			
SIZE A3	CODE CS	DOC NUMBER I310A21116	REV A03
CHANGE by <i>Drawer Name</i>		17-May-2007	
SHEET 9		OF 69	



INVENTEC

TITLE			
Miami10G			
VCCP / +VGA_VDD / +VPCIE			
SIZE	CODE	DOC. NUMBER	REV
A3	CS	I310A21116	A03



INVENTEC

TITLE
Miami10G
+VDD_CORE

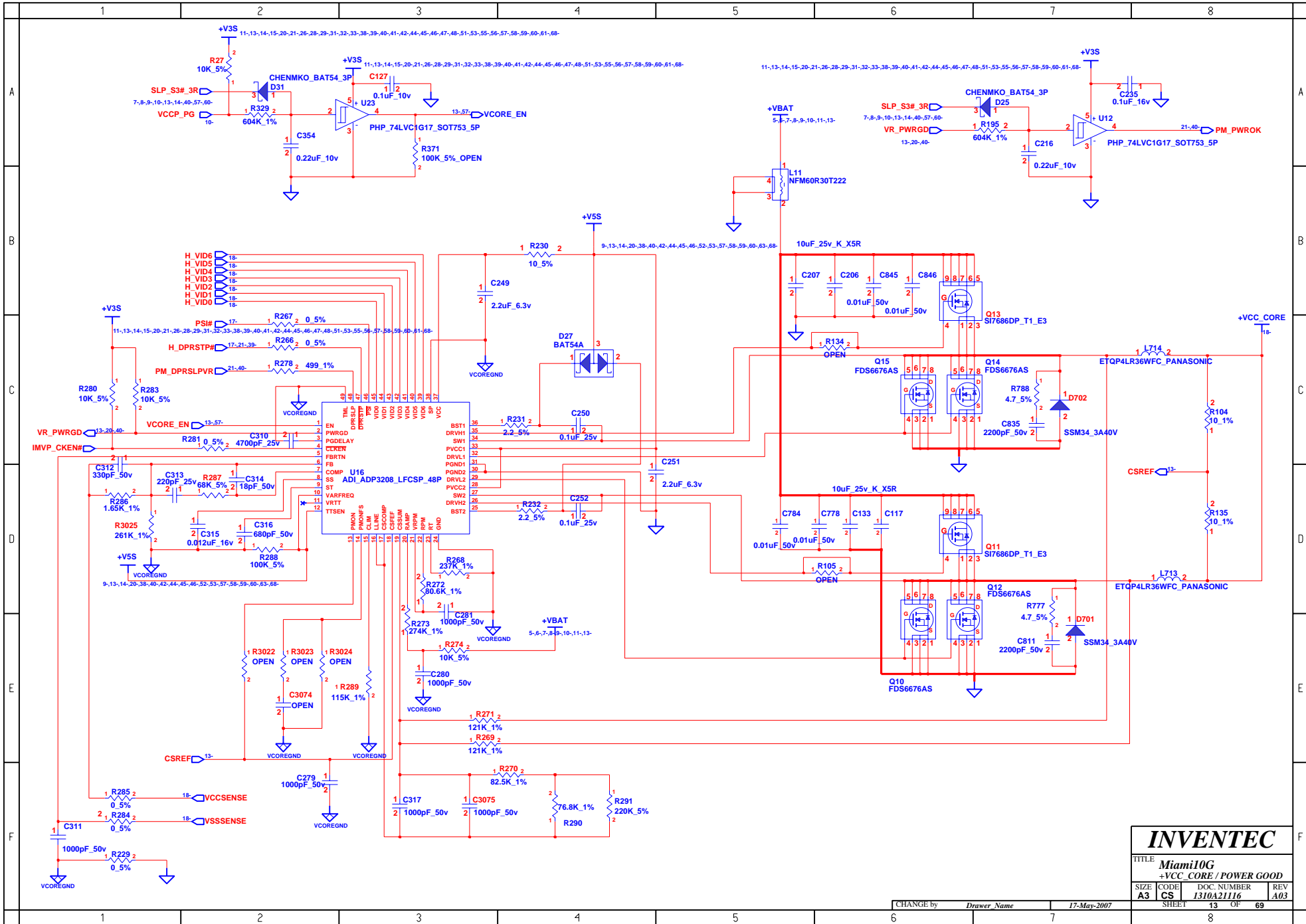
SIZE A3	CODE CS	DOC. NUMBER 1310A21116	REV A03
-------------------	-------------------	----------------------------------	-------------------

CHANGE by *Drawer Name* 17-May-2007

SHEET 11 OF 69

	1	2	3	4	5	6	7	8	
A									A
B									B
C									C
D									D
E									E
F									F
	1	2	3	4	5	6	7	8	

INVENTEC			
TITLE <i>Miami10G</i>			
SIZE	CODE	DOC. NUMBER	REV
A3	CS	<i>1310A21116</i>	<i>A03</i>
CHANGE by <i>Drawer Name</i>		17-May-2007	
		SHEET	12 OF 69
		8	



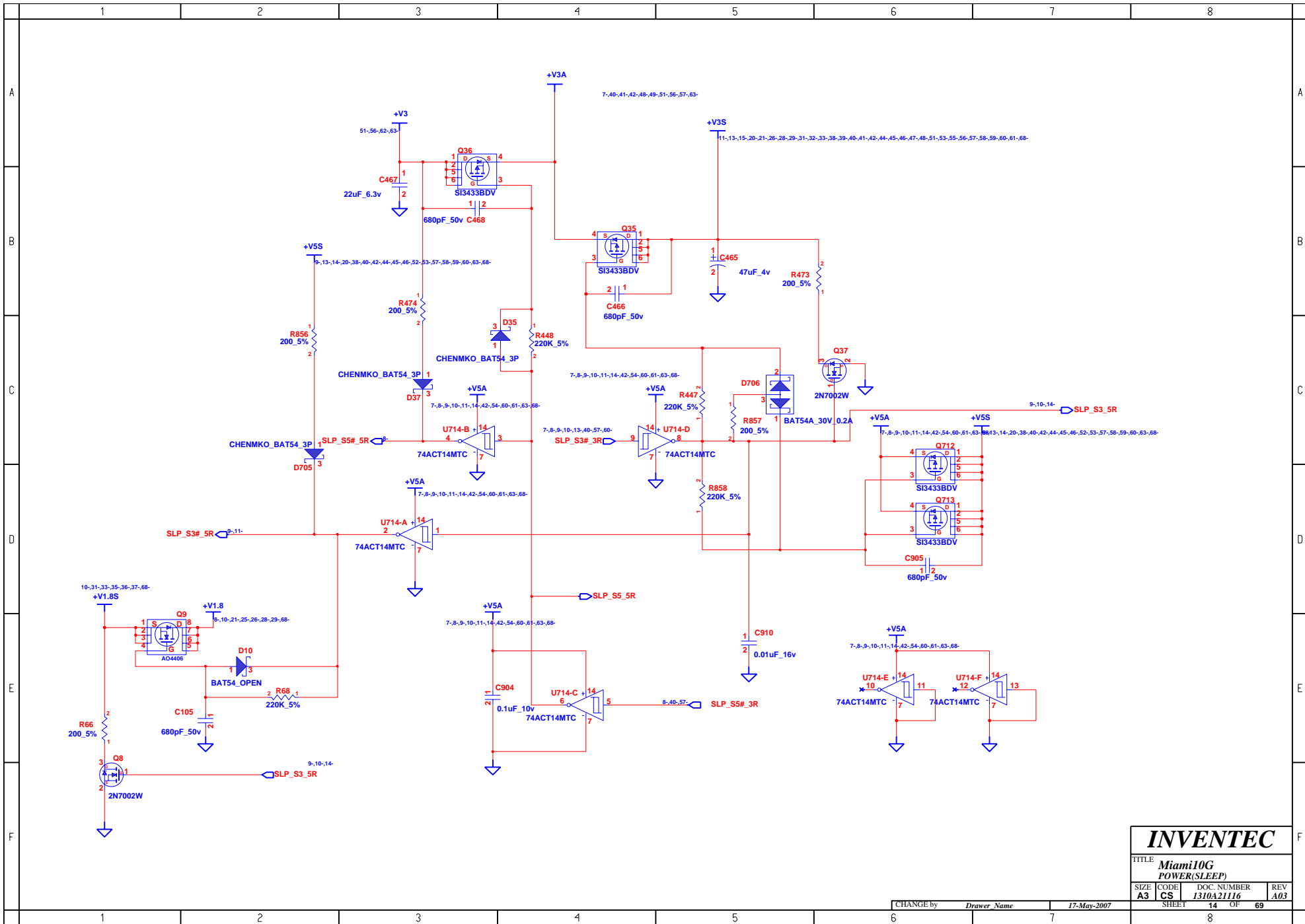
INVENTEC

TITLE **Miami10G**
+VCC_CORE / POWER GOOD

SIZE	CODE	DOC. NUMBER	REV
A3	CS	I310A2116	A03

CHANGE by *Drawer Name* 17-May-2007

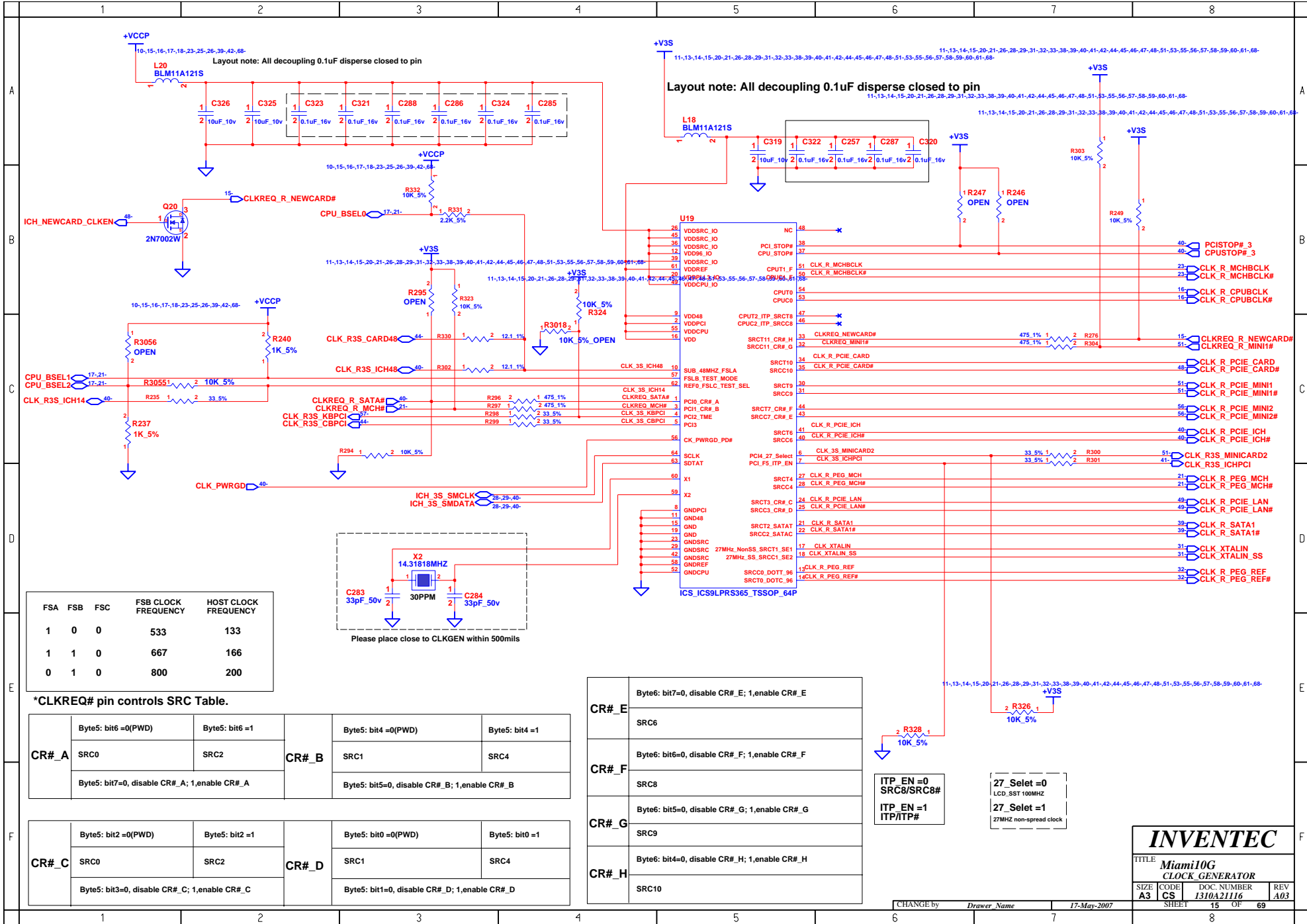
SHEET 13 OF 69



INVENTEC

TITLE
**Miami10G
 POWER(SLEEP)**

SIZE A3	CODE CS	DOC. NUMBER I310A21116	REV A03
CHANGE by <i>Drawer Name</i>		17-May-2007	
SHEET		14 OF 69	



FSA	FSB	FSC	FSB CLOCK FREQUENCY	HOST CLOCK FREQUENCY
1	0	0	533	133
1	1	0	667	166
0	1	0	800	200

*CLKREQ# pin controls SRC Table.

CR#_A	Byte5: bit6 =0(PWD)		Byte5: bit4 =0(PWD)	
	SRC0	SRC2	SRC1	SRC4
	Byte5: bit7=0, disable CR#_A; 1,enable CR#_A		Byte5: bit5=0, disable CR#_B; 1,enable CR#_B	

CR#_C	Byte5: bit2 =0(PWD)		Byte5: bit0 =0(PWD)	
	SRC0	SRC2	SRC1	SRC4
	Byte5: bit3=0, disable CR#_C; 1,enable CR#_C		Byte5: bit1=0, disable CR#_D; 1,enable CR#_D	

CR#_E	Byte6: bit7=0, disable CR#_E; 1,enable CR#_E
SRC6	
CR#_F	Byte6: bit6=0, disable CR#_F; 1,enable CR#_F
SRC8	
CR#_G	Byte6: bit5=0, disable CR#_G; 1,enable CR#_G
SRC9	
CR#_H	Byte6: bit4=0, disable CR#_H; 1,enable CR#_H
SRC10	

ITP_EN =0
SRC8/SRC8#
ITP_EN =1
ITP/ITP#

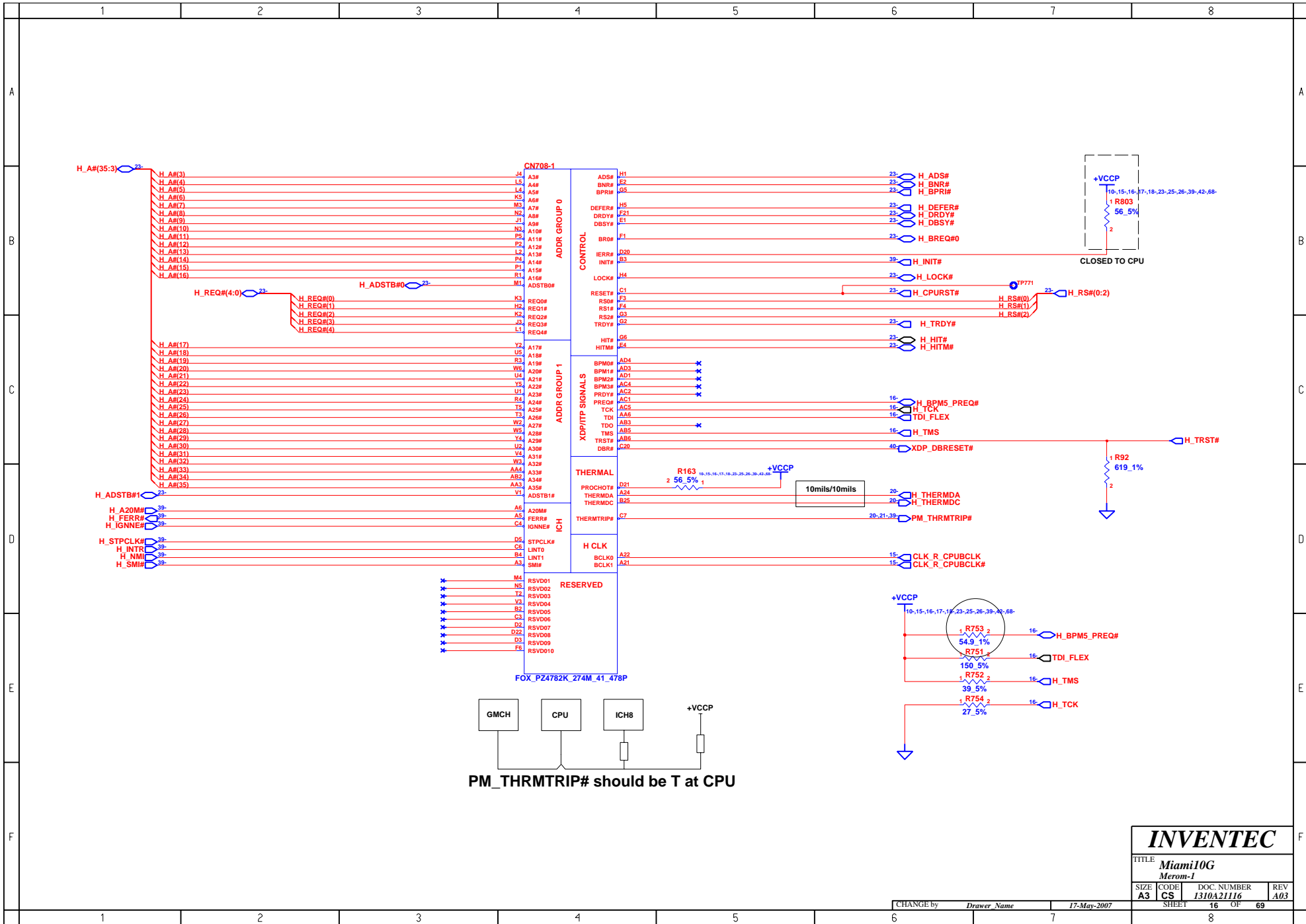
27_Selet =0
LCD_SST 100MHZ
27_Selet =1
27MHZ non-spread clock

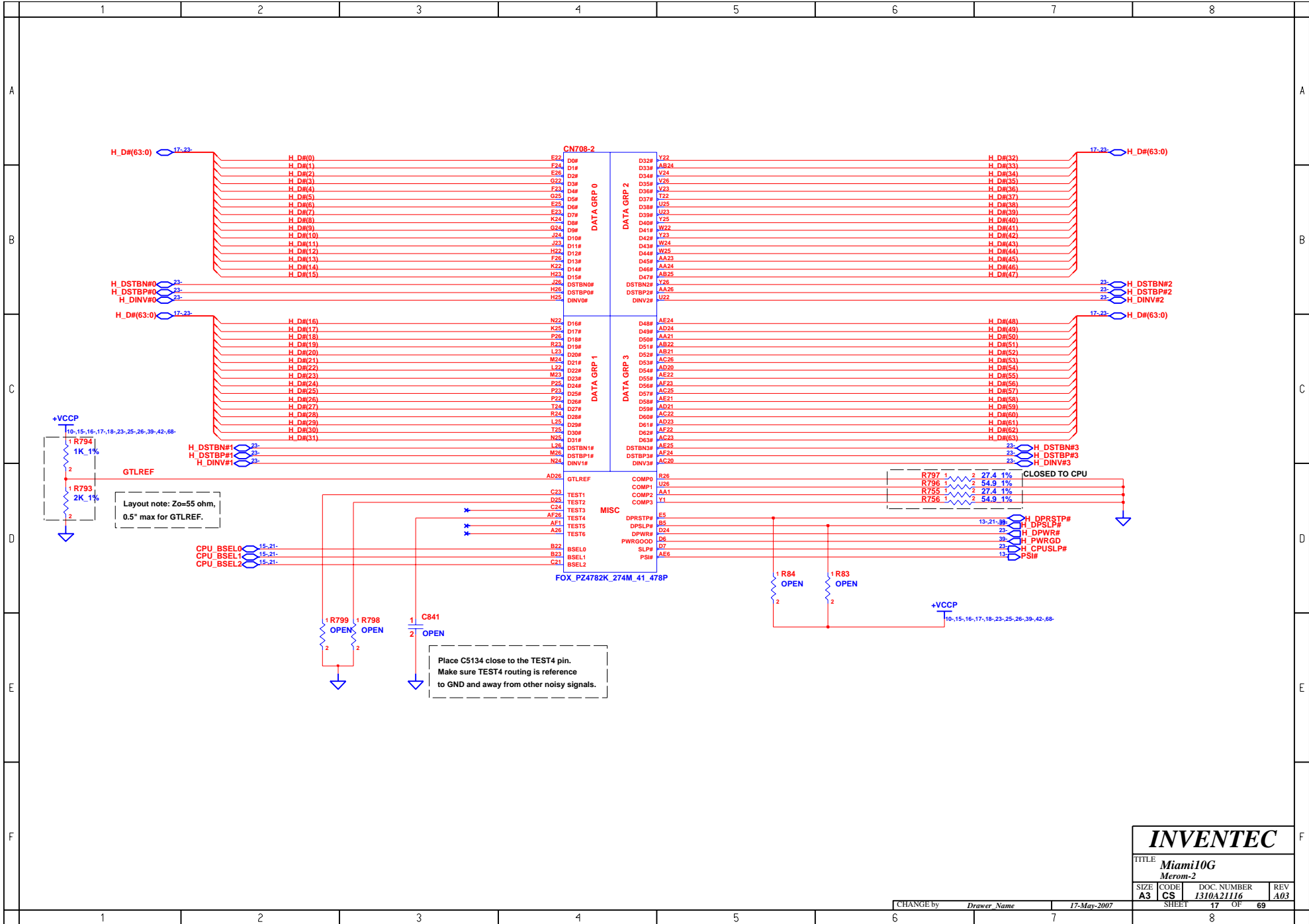
INVENTEC

TITLE Miami10G
CLOCK_GENERATOR

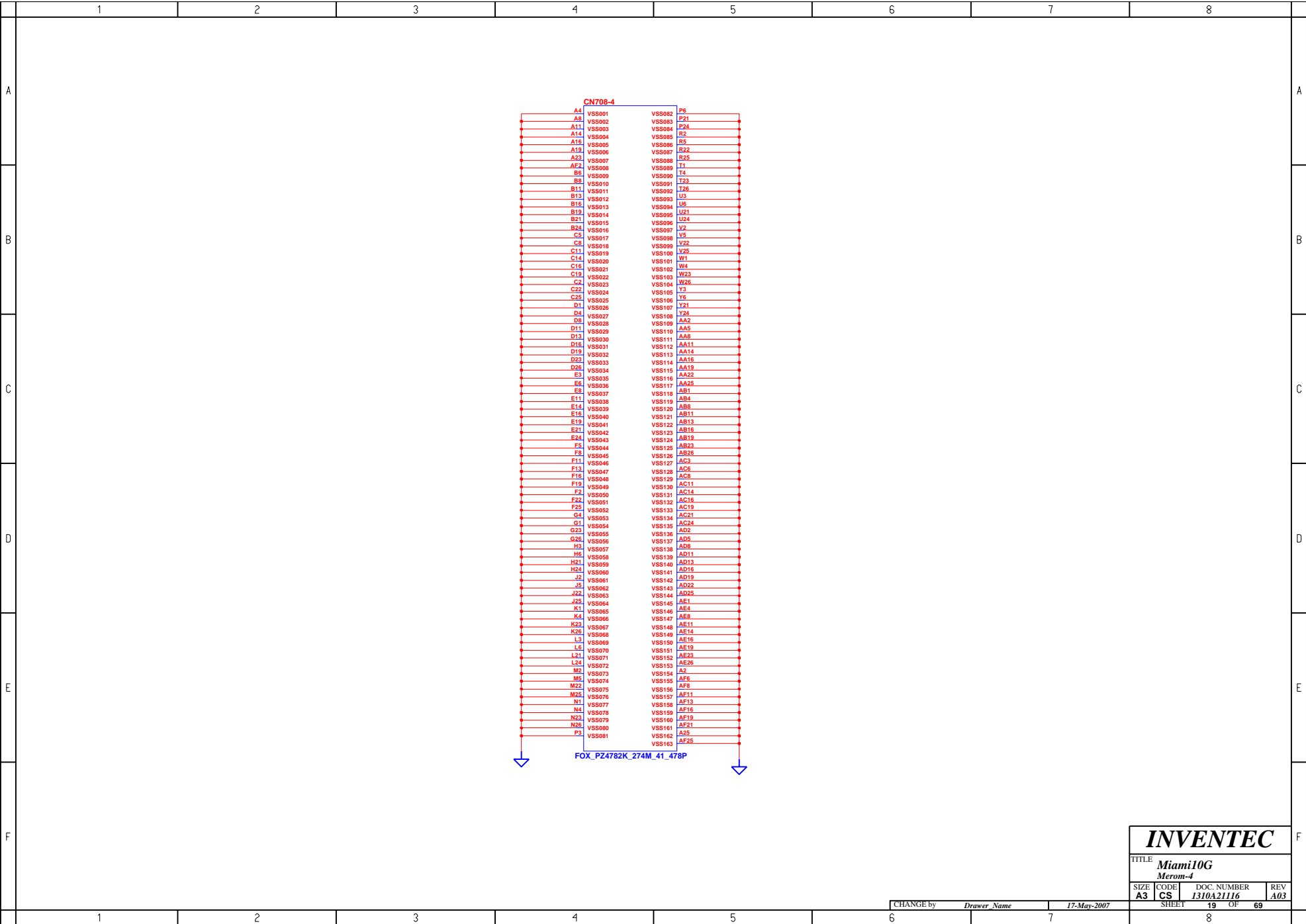
SIZE A3	CODE CS	DOC NUMBER 1310A2116	REV A03
---------	---------	----------------------	---------

SHEET 15 OF 69





INVENTEC			
TITLE Miami10G Merom-2			
SIZE A3	CODE CS	DOC. NUMBER 1310A21116	REV A03
CHANGE by <i>Drawer Name</i>		17-May-2007	
SHEET		17 OF 69	



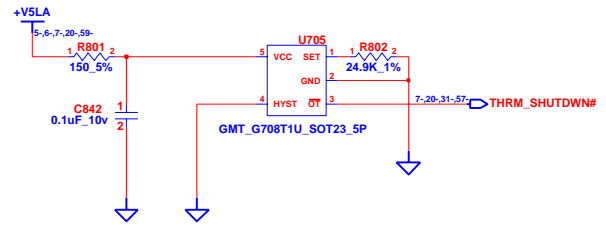
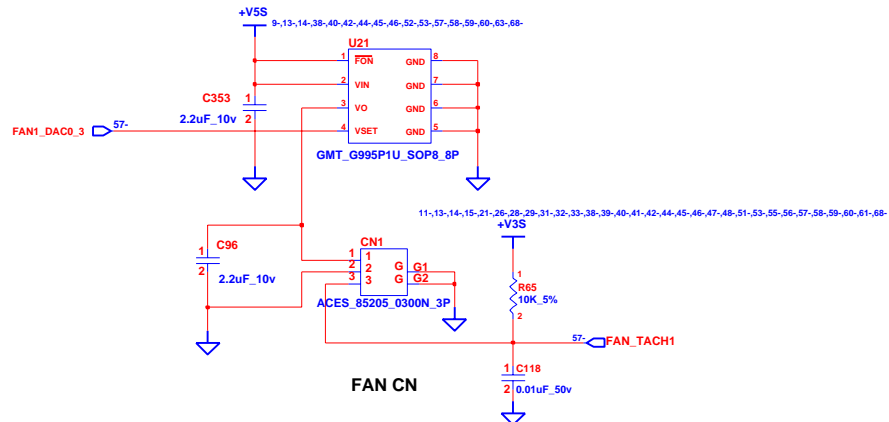
CN708-4

FOX_PZ4782K_274M_41_478P

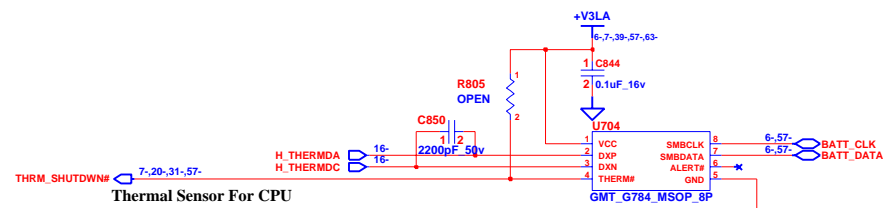
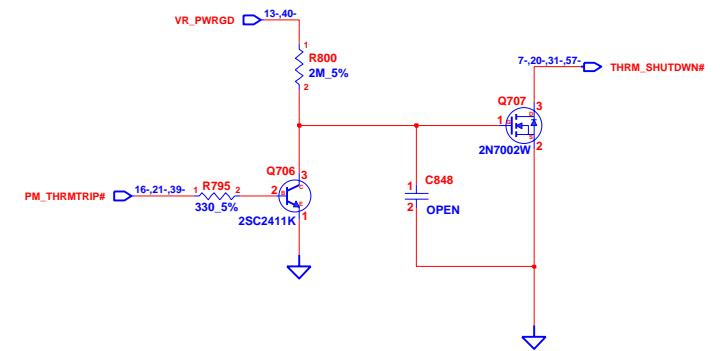
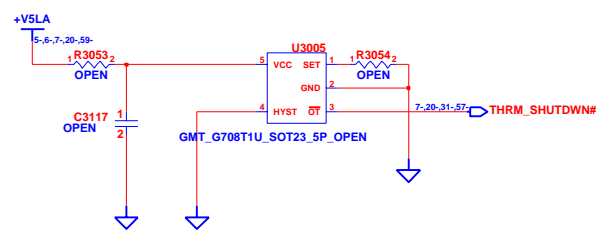
INVENTEC

TITLE *Miami10G*
Merom-4

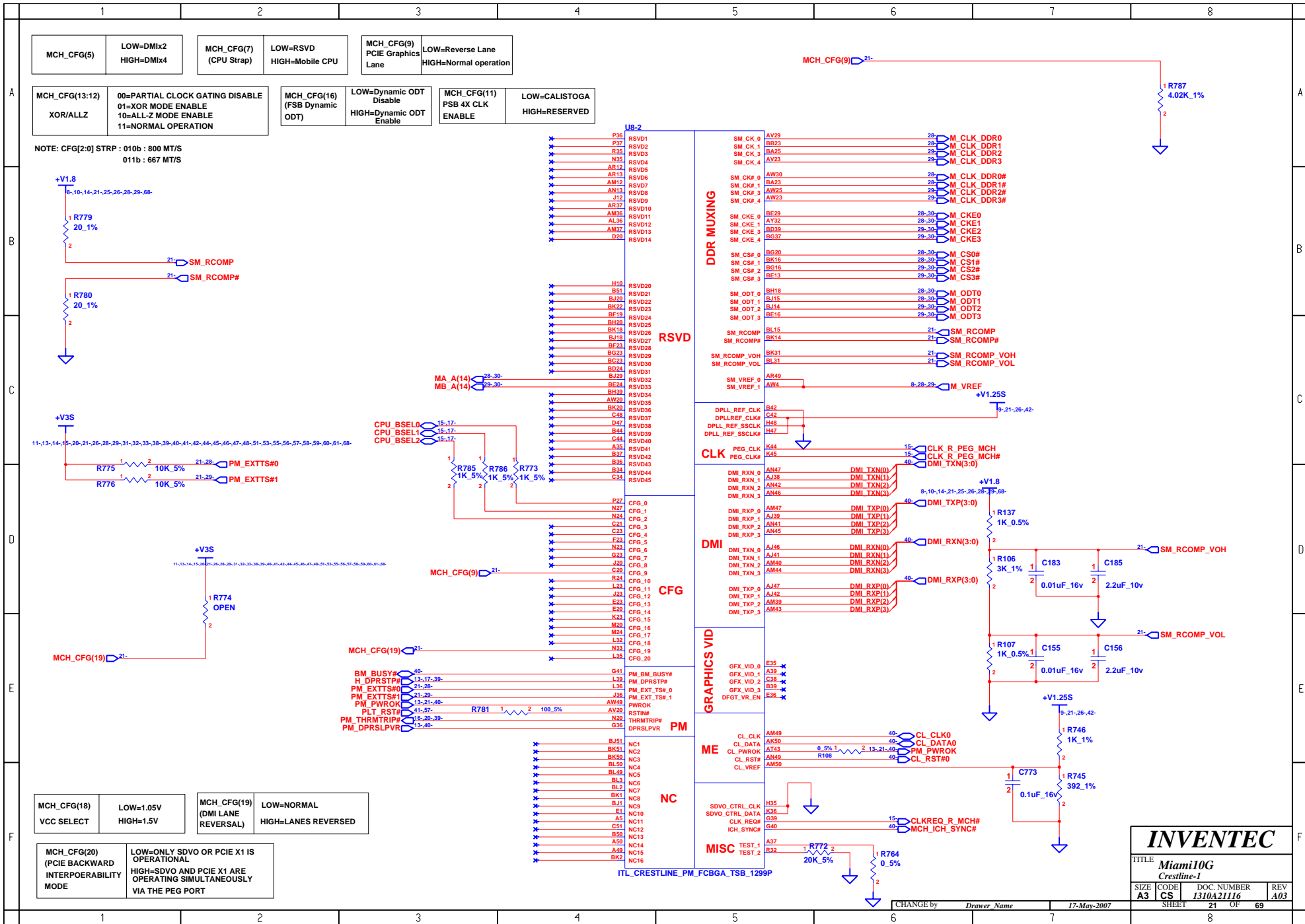
SIZE A3	CODE CS	DOC. NUMBER <i>1310A21116</i>	REV A03
-------------------	-------------------	----------------------------------	-------------------



Thermal shutdown at 86C +/-3C from 60C to 100C
Hysteresis is 30C



INVENTEC			
TITLE Miami10G			
THERMAL&FAN CONTROLLER			
SIZE A3	CODE CS	DOC. NUMBER 1310A21116	REV A03
CHANGE by <i>Drawer Name</i>		17-May-2007	SHEET 20 OF 69

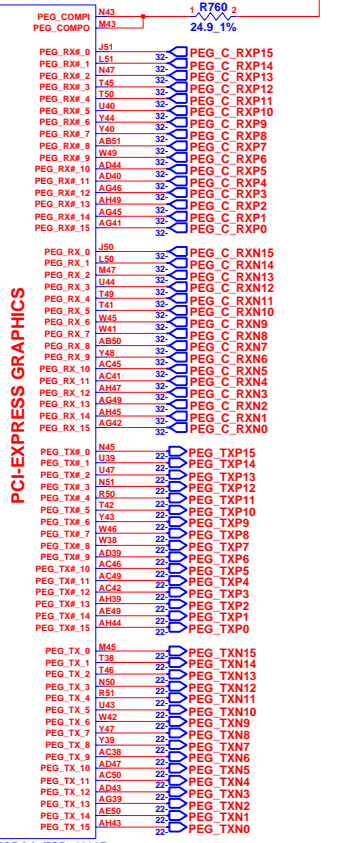
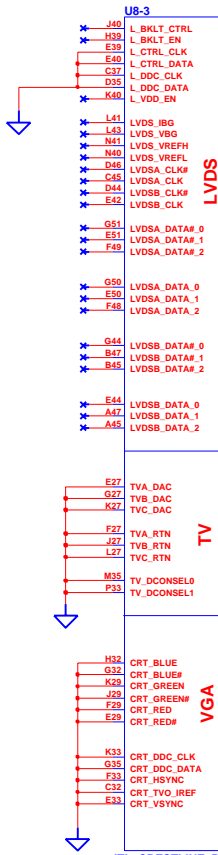


INVENTEC			
TITLE Miami10G Crestline-1			
SIZE A3	CODE CS	DOC. NUMBER 1310A21116	REV A03
SHEET 21		OF 69	

CHANGE by *Drawer Name* 17-May-2007

PEG LANE
LANE REVERSE
POLAR REVERSE

+V1.25S_PEG
26

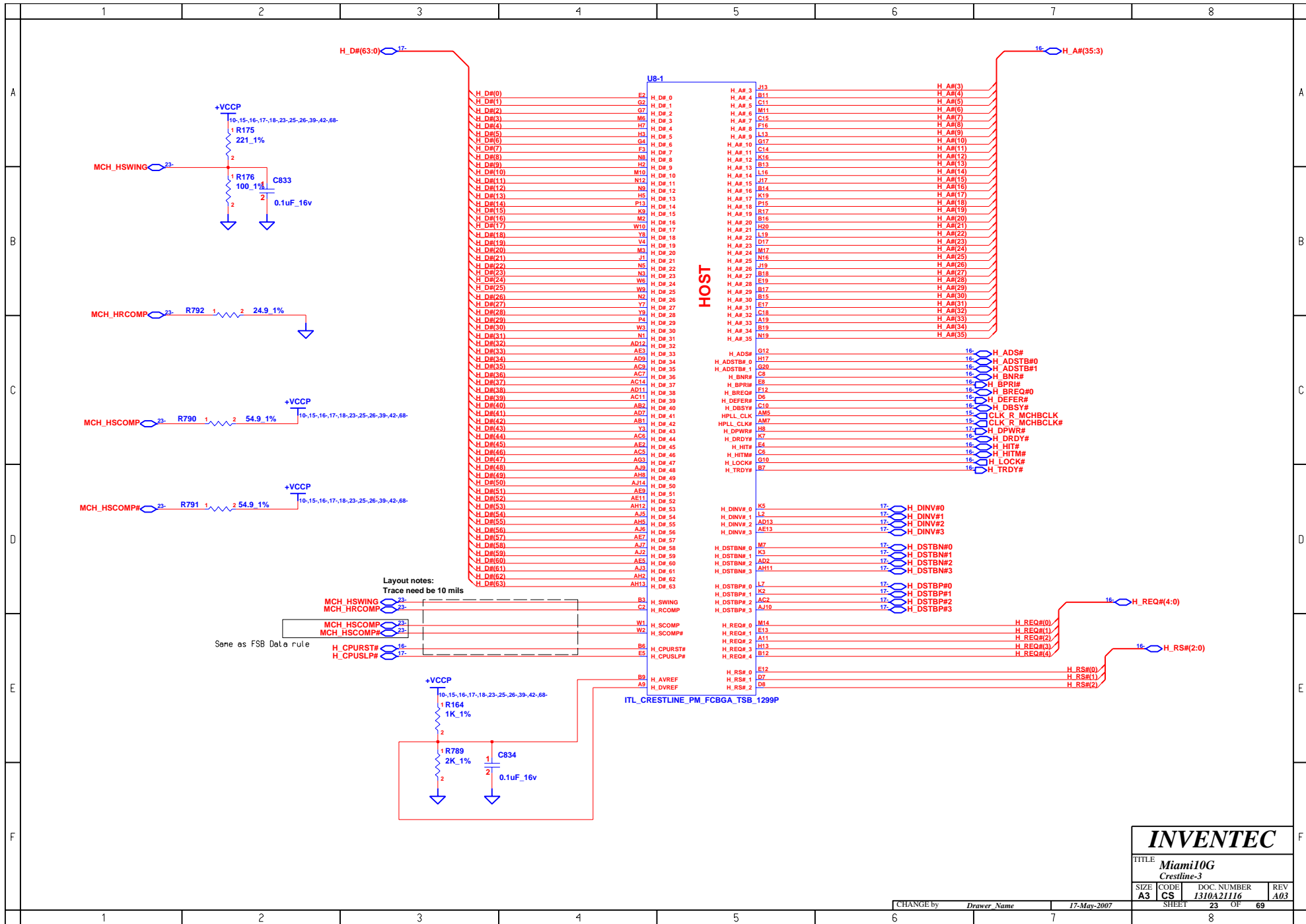


PEG_TXP0	22	C115	0.1uF_10v	32	PEG_C_TXP0
PEG_TXN0	22	C3011	0.1uF_10v	32	PEG_C_TXN0
PEG_TXP1	22	C3012	0.1uF_10v	32	PEG_C_TXP1
PEG_TXN1	22	C3013	0.1uF_10v	32	PEG_C_TXN1
PEG_TXP2	22	C3014	0.1uF_10v	32	PEG_C_TXP2
PEG_TXN2	22	C3015	0.1uF_10v	32	PEG_C_TXN2
PEG_TXP3	22	C3016	0.1uF_10v	32	PEG_C_TXP3
PEG_TXN3	22	C3017	0.1uF_10v	32	PEG_C_TXN3
PEG_TXP4	22	C3018	0.1uF_10v	32	PEG_C_TXP4
PEG_TXN4	22	C3019	0.1uF_10v	32	PEG_C_TXN4
PEG_TXP5	22	C3020	0.1uF_10v	32	PEG_C_TXP5
PEG_TXN5	22	C3021	0.1uF_10v	32	PEG_C_TXN5
PEG_TXP6	22	C3022	0.1uF_10v	32	PEG_C_TXP6
PEG_TXN6	22	C3023	0.1uF_10v	32	PEG_C_TXN6
PEG_TXP7	22	C3024	0.1uF_10v	32	PEG_C_TXP7
PEG_TXN7	22	C3025	0.1uF_10v	32	PEG_C_TXN7
PEG_TXP8	22	C3026	0.1uF_10v	32	PEG_C_TXP8
PEG_TXN8	22	C3027	0.1uF_10v	32	PEG_C_TXN8
PEG_TXP9	22	C3028	0.1uF_10v	32	PEG_C_TXP9
PEG_TXN9	22	C3029	0.1uF_10v	32	PEG_C_TXN9
PEG_TXP10	22	C3030	0.1uF_10v	32	PEG_C_TXP10
PEG_TXN10	22	C3031	0.1uF_10v	32	PEG_C_TXN10
PEG_TXP11	22	C3032	0.1uF_10v	32	PEG_C_TXP11
PEG_TXN11	22	C3033	0.1uF_10v	32	PEG_C_TXN11
PEG_TXP12	22	C3034	0.1uF_10v	32	PEG_C_TXP12
PEG_TXN12	22	C3035	0.1uF_10v	32	PEG_C_TXN12
PEG_TXP13	22	C3036	0.1uF_10v	32	PEG_C_TXP13
PEG_TXN13	22	C3037	0.1uF_10v	32	PEG_C_TXN13
PEG_TXP14	22	C3038	0.1uF_10v	32	PEG_C_TXP14
PEG_TXN14	22	C3039	0.1uF_10v	32	PEG_C_TXN14
PEG_TXP15	22	C3040	0.1uF_10v	32	PEG_C_TXP15
PEG_TXN15	22	C3041	0.1uF_10v	32	PEG_C_TXN15

Place to near NB

ITL_CRESTLINE_PM_FCBGA_TSB 1299P

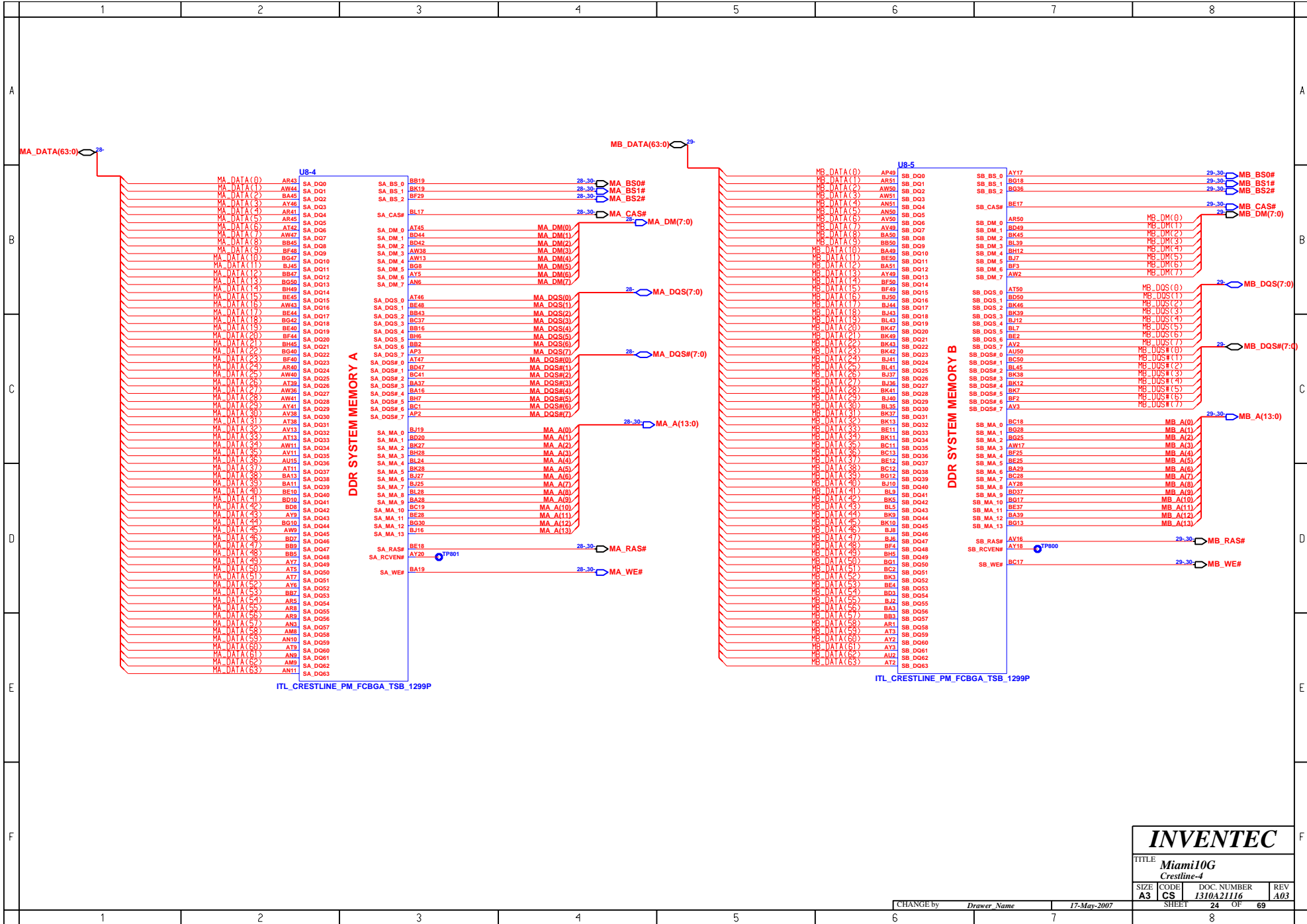
INVENTEC			
TITLE Miami10G Crestline-2			
SIZE A3	CODE CS	DOC. NUMBER 1310A21116	REV A03
CHANGE by Drawer Name		17-May-2007	
SHEET 22		OF 69	



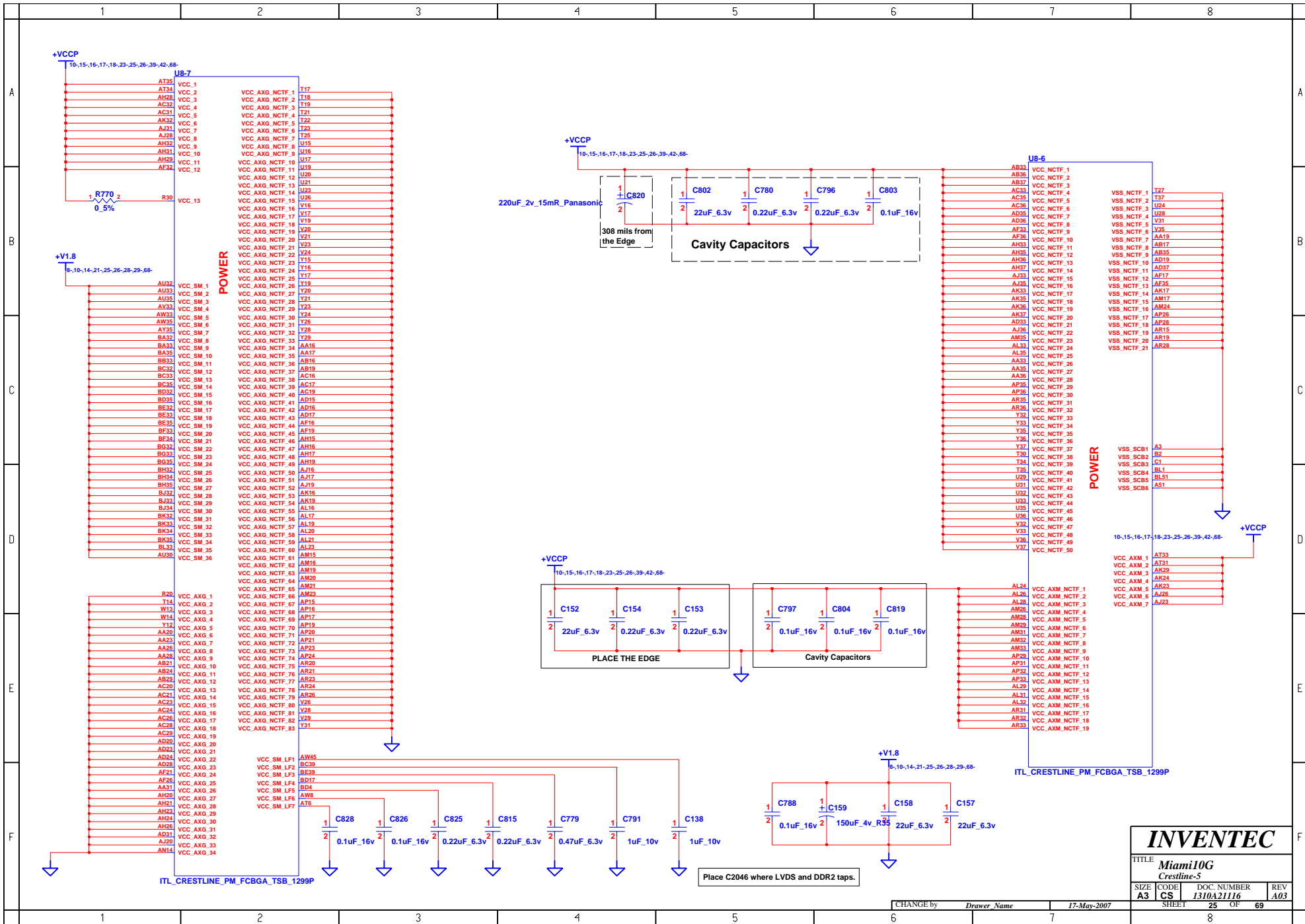
INVENTEC

TITLE
Miami10G
 Crestline-3

SIZE	CODE	DOC. NUMBER	REV
A3	CS	1310A21116	A03



INVENTEC			
TITLE <i>Miami10G Crestline-4</i>			
SIZE	CODE	DOC. NUMBER	REV
A3	CS	1310A21116	A03
CHANGE by		Drawer Name	17-May-2007
SHEET		24	OF 69



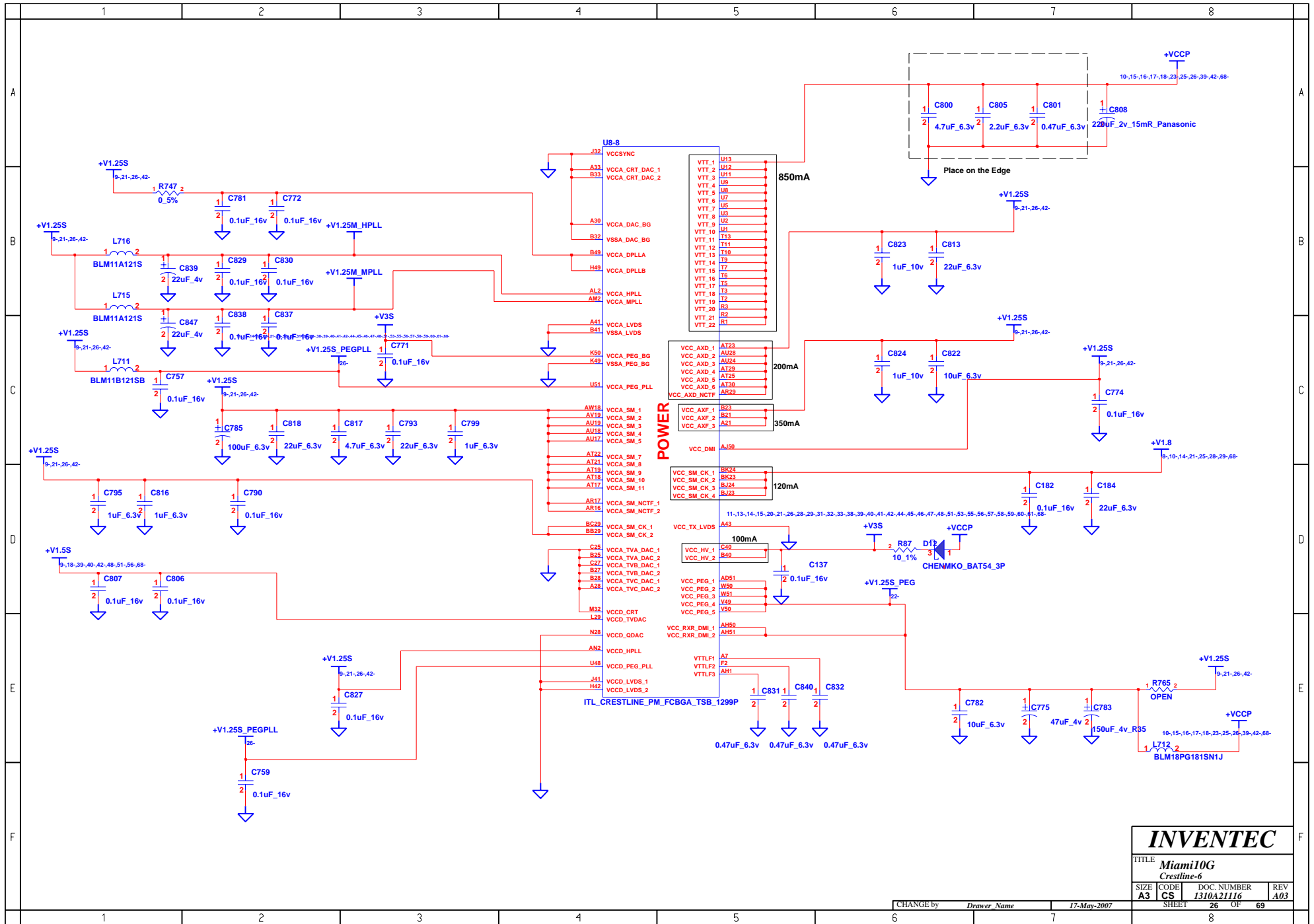
INVENTEC

TITLE: **Miami10G Crestline-5**

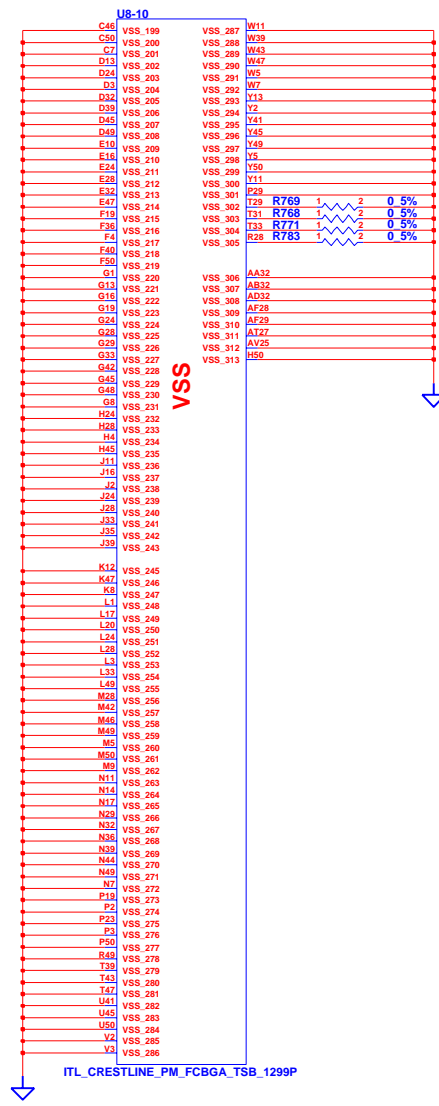
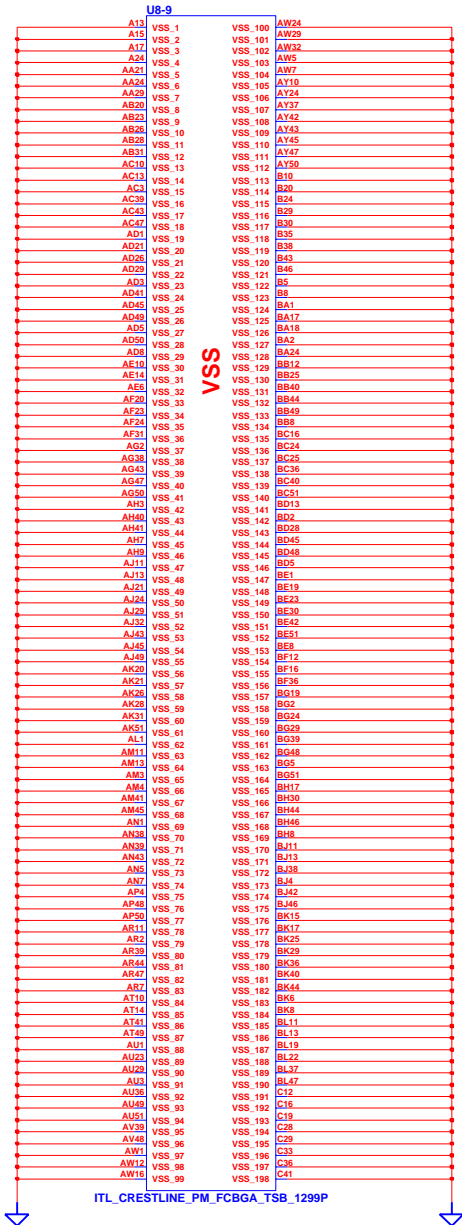
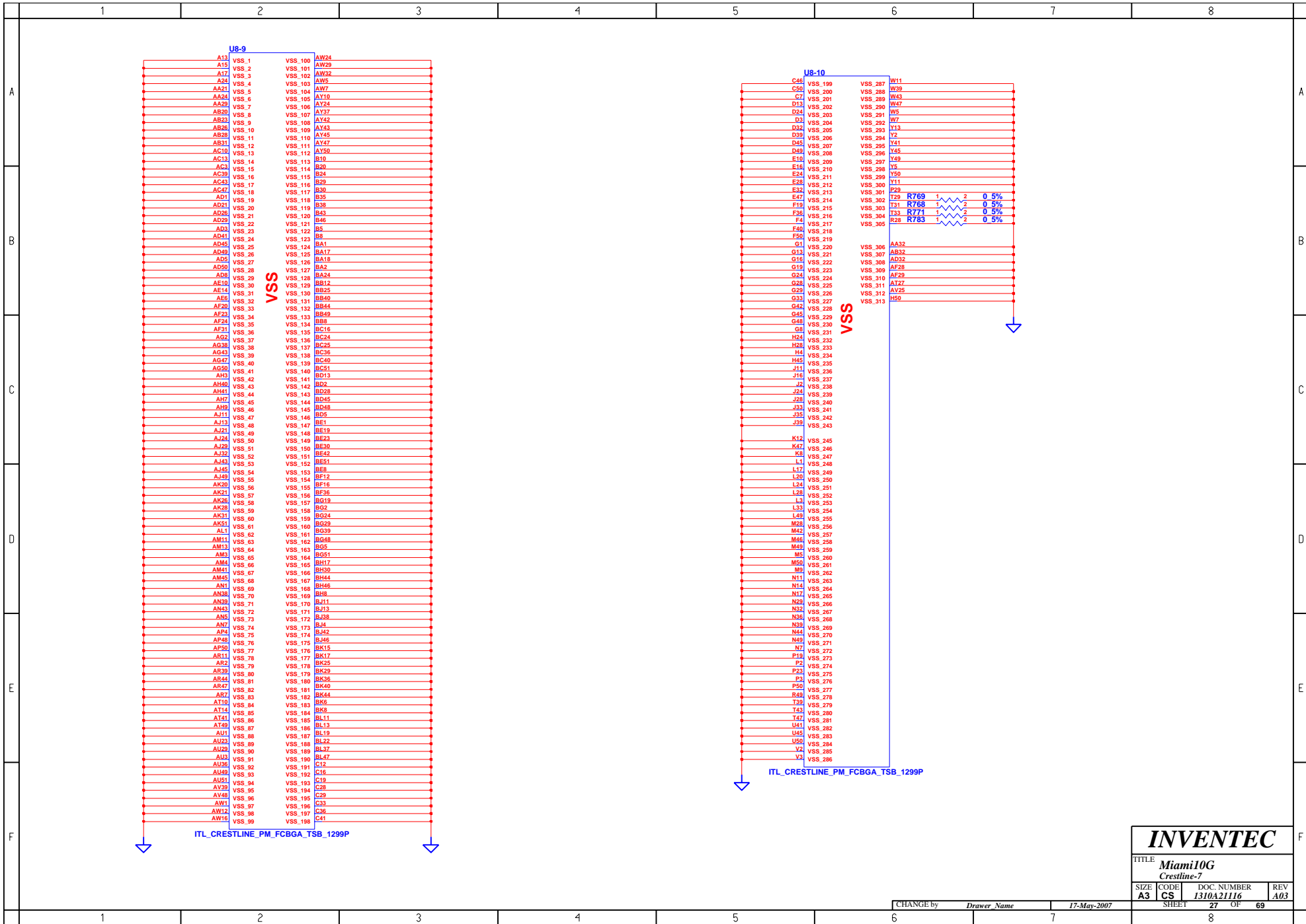
SIZE	CODE	DOC. NUMBER	REV
A3	CS	1310A21116	A03

CHANGE by *Drawer Name* 17-May-2007 SHEET 25 OF 69

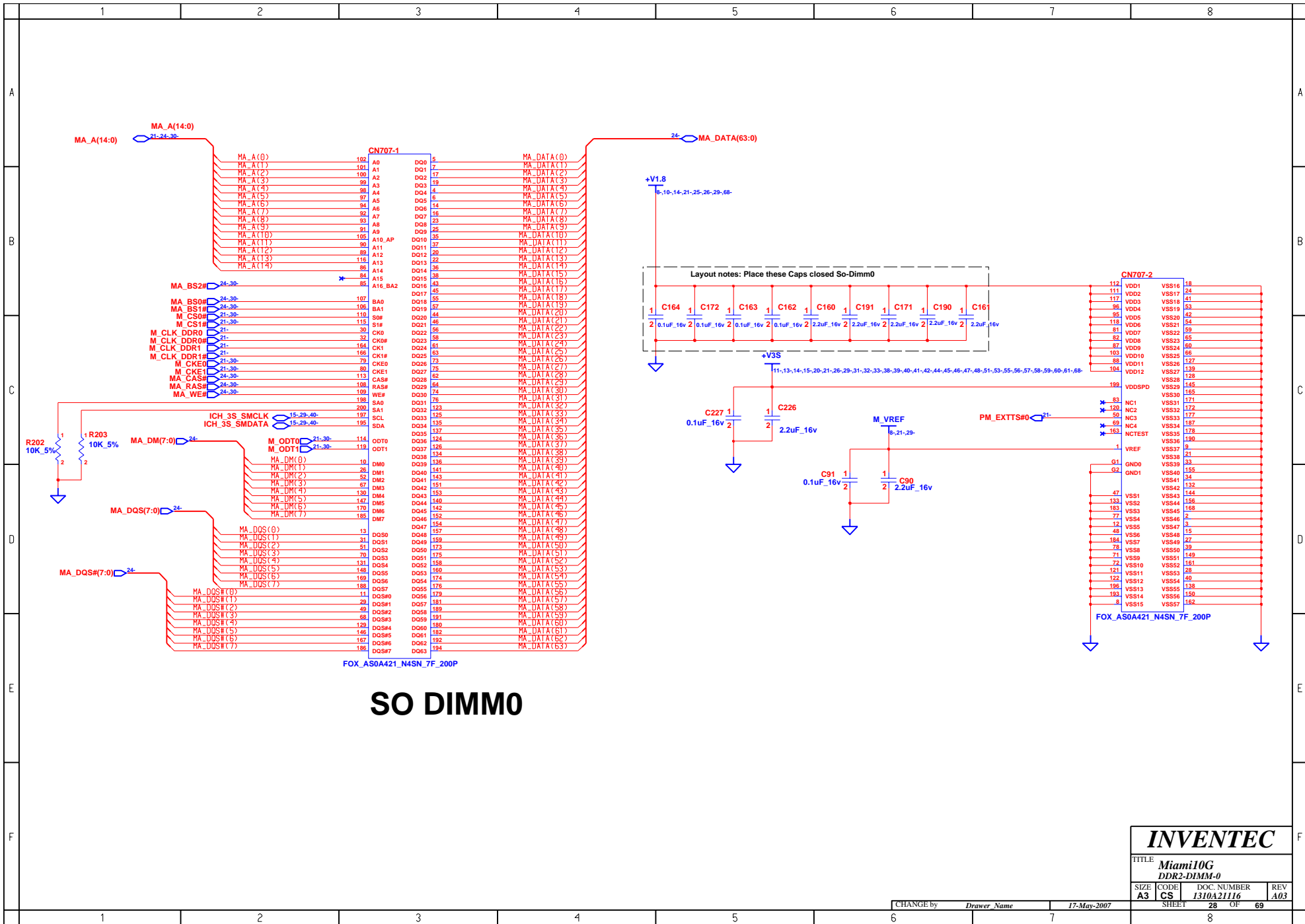
Place C2046 where LVDS and DDR2 taps.



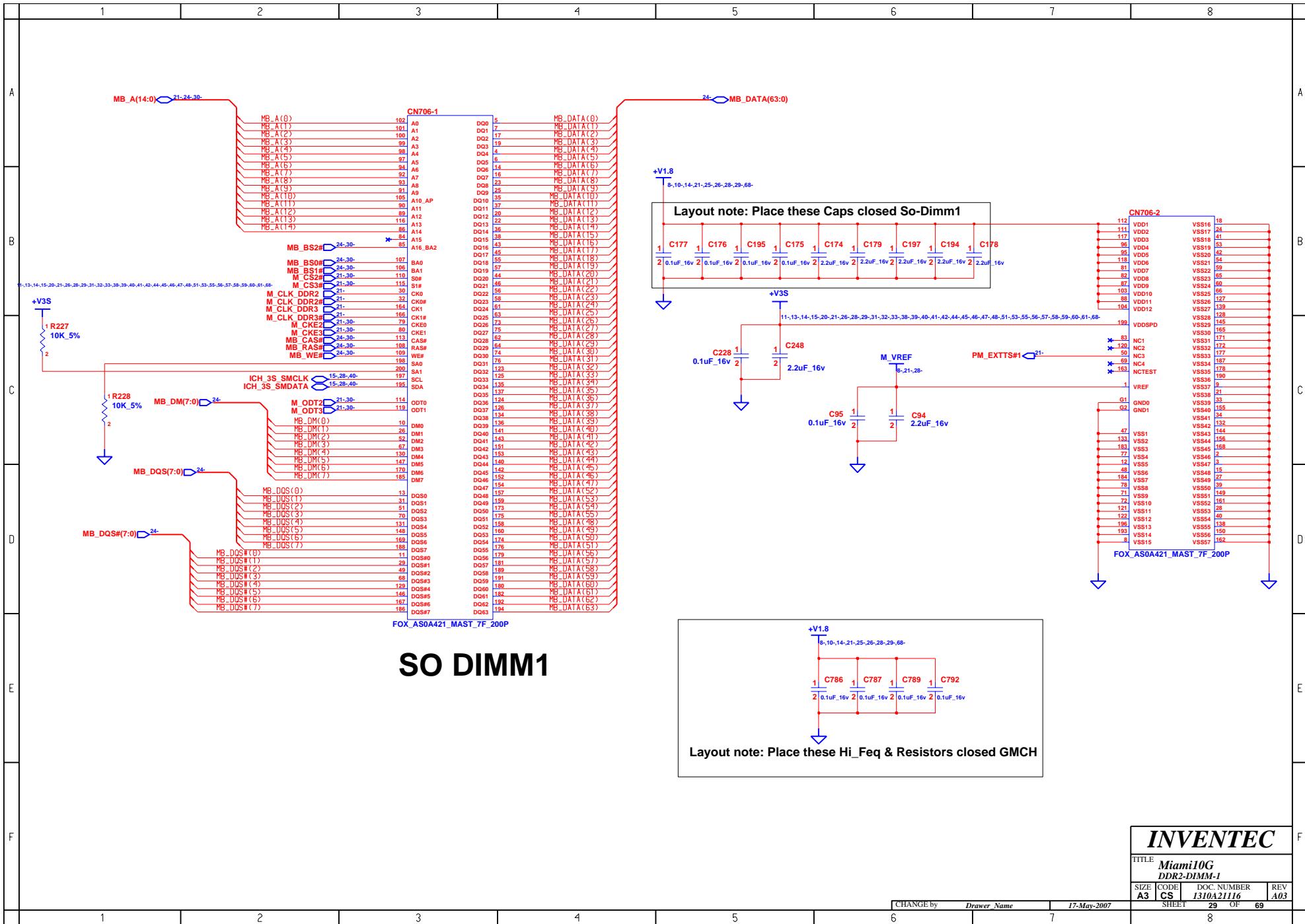
INVENTEC			
TITLE: Miami10G Crestline-6			
SIZE: A3	CODE: CS	DOC. NUMBER: 1310A21116	REV: A03
CHANGE by: Drawer Name		17-May-2007	
SHEET: 26		OF: 69	



INVENTEC			
TITLE Miami10G Crestline-7			
SIZE A3	CODE CS	DOC. NUMBER 1310A21116	REV A03
CHANGE by Drawer Name		17-May-2007	
SHEET 27		OF 69	



INVENTEC			
TITLE: Miami10G DDR2-DIMM-0			
SIZE: A3	CODE: CS	DOC. NUMBER: 1310A21116	REV: A03
CHANGE by: Drawer Name		17-May-2007	SHEET 28 OF 69



Pin	Signal	Pin	Signal
102	MB_A(0)	D00	MB_DATA(0)
101	MB_A(1)	D01	MB_DATA(1)
100	MB_A(2)	D02	MB_DATA(2)
99	MB_A(3)	D03	MB_DATA(3)
98	MB_A(4)	D04	MB_DATA(4)
97	MB_A(5)	D05	MB_DATA(5)
96	MB_A(6)	D06	MB_DATA(6)
95	MB_A(7)	D07	MB_DATA(7)
94	MB_A(8)	D08	MB_DATA(8)
93	MB_A(9)	D09	MB_DATA(9)
92	MB_A(10)	D10	MB_DATA(10)
91	MB_A(11)	D11	MB_DATA(11)
90	MB_A(12)	D12	MB_DATA(12)
89	MB_A(13)	D13	MB_DATA(13)
88	MB_A(14)	D14	MB_DATA(14)
87	MB_A(15)	D15	MB_DATA(15)
86	MB_A(16)	D16	MB_DATA(16)
85	MB_A(17)	D17	MB_DATA(17)
84	MB_A(18)	D18	MB_DATA(18)
83	MB_A(19)	D19	MB_DATA(19)
82	MB_A(20)	D20	MB_DATA(20)
81	MB_A(21)	D21	MB_DATA(21)
80	MB_A(22)	D22	MB_DATA(22)
79	MB_A(23)	D23	MB_DATA(23)
78	MB_A(24)	D24	MB_DATA(24)
77	MB_A(25)	D25	MB_DATA(25)
76	MB_A(26)	D26	MB_DATA(26)
75	MB_A(27)	D27	MB_DATA(27)
74	MB_A(28)	D28	MB_DATA(28)
73	MB_A(29)	D29	MB_DATA(29)
72	MB_A(30)	D30	MB_DATA(30)
71	MB_A(31)	D31	MB_DATA(31)
70	MB_A(32)	D32	MB_DATA(32)
69	MB_A(33)	D33	MB_DATA(33)
68	MB_A(34)	D34	MB_DATA(34)
67	MB_A(35)	D35	MB_DATA(35)
66	MB_A(36)	D36	MB_DATA(36)
65	MB_A(37)	D37	MB_DATA(37)
64	MB_A(38)	D38	MB_DATA(38)
63	MB_A(39)	D39	MB_DATA(39)
62	MB_A(40)	D40	MB_DATA(40)
61	MB_A(41)	D41	MB_DATA(41)
60	MB_A(42)	D42	MB_DATA(42)
59	MB_A(43)	D43	MB_DATA(43)
58	MB_A(44)	D44	MB_DATA(44)
57	MB_A(45)	D45	MB_DATA(45)
56	MB_A(46)	D46	MB_DATA(46)
55	MB_A(47)	D47	MB_DATA(47)
54	MB_A(48)	D48	MB_DATA(48)
53	MB_A(49)	D49	MB_DATA(49)
52	MB_A(50)	D50	MB_DATA(50)
51	MB_A(51)	D51	MB_DATA(51)
50	MB_A(52)	D52	MB_DATA(52)
49	MB_A(53)	D53	MB_DATA(53)
48	MB_A(54)	D54	MB_DATA(54)
47	MB_A(55)	D55	MB_DATA(55)
46	MB_A(56)	D56	MB_DATA(56)
45	MB_A(57)	D57	MB_DATA(57)
44	MB_A(58)	D58	MB_DATA(58)
43	MB_A(59)	D59	MB_DATA(59)
42	MB_A(60)	D60	MB_DATA(60)
41	MB_A(61)	D61	MB_DATA(61)
40	MB_A(62)	D62	MB_DATA(62)
39	MB_A(63)	D63	MB_DATA(63)

INVENTEC			
TITLE: Miami10G DDR2-DIMM-1			
SIZE: A3	CODE: CS	DOC. NUMBER: I310A21116	REV: A03
CHANGE by: Drawer Name		17-May-2007	
SHEET: 29		OF: 69	

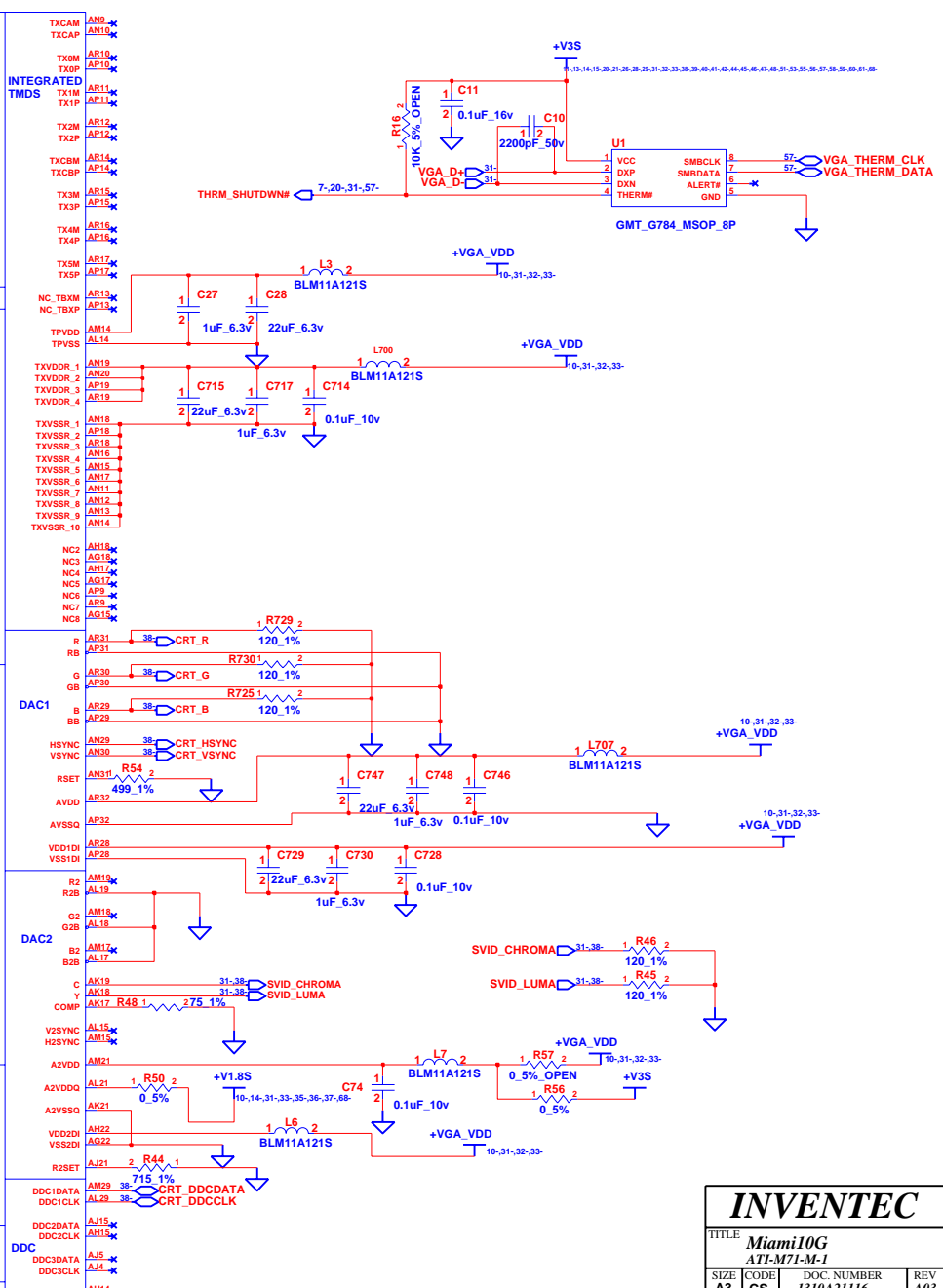
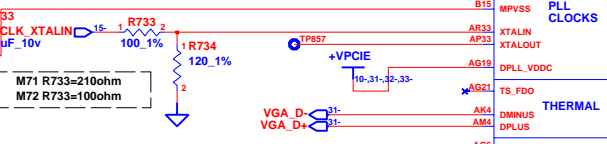
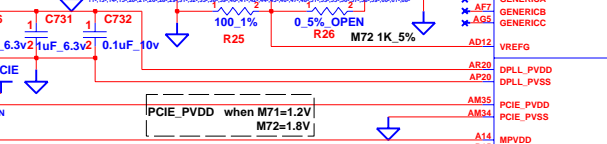
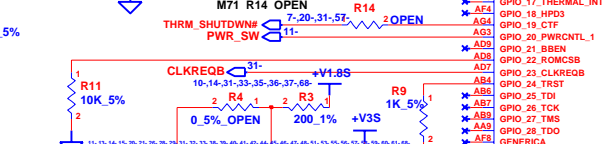
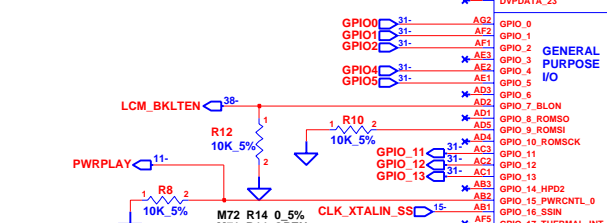
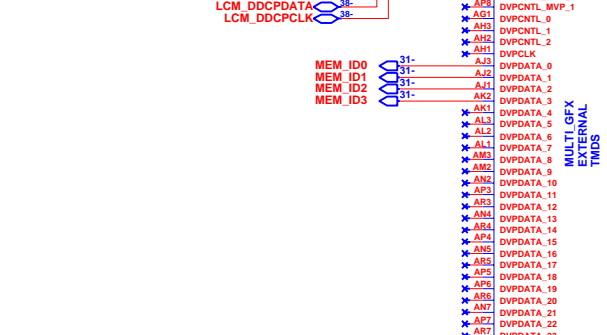
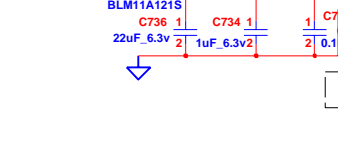
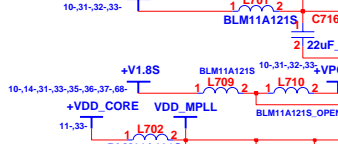
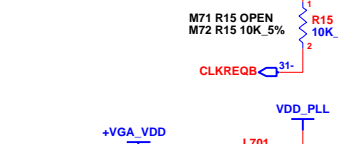
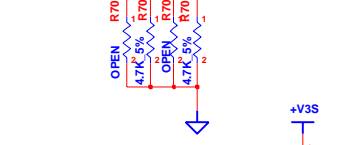
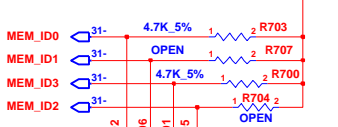
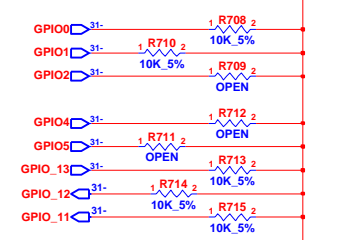


INVENTEC			
TITLE <i>Miami10G</i> <i>DDR2-DAMPING</i>			
SIZE A3	CODE CS	DOC. NUMBER <i>1310A21116</i>	REV A03
CHANGE by <i>Drawer Name</i>		17-May-2007	
SHEET		30 OF 69	

GPIO_13	GPIO_12	GPIO_11	Memory aperture size	M72-M
0	0	0	128M	128M
0	0	1	256M	
0	1	0	64M	256M
0	1	1	32M	
1	0	0	512M	512M

MEM_ID(3:0)	VRAM Vendor & Size
	M72
00h	Hynix 16MX16 (128MB)
01h	Hynix 16MX16 (256MB)
02h	Samsung 16MX16 (128MB)
03h	Samsung 16MX16 (256MB)
04h	Hynix 16MX16 (64MB)
05h	Samsung 16MX16 (64MB)
06h	Qimonda 16MX16 (128MB - 500MHz)
07h	Qimonda 16MX16 (256MB - 500MHz)

11-15,14,15,20-21,26,28,29,31,32,33,38,39,41,42,44,45,46,47,48,51,53,55,56,57,58,59,61,68

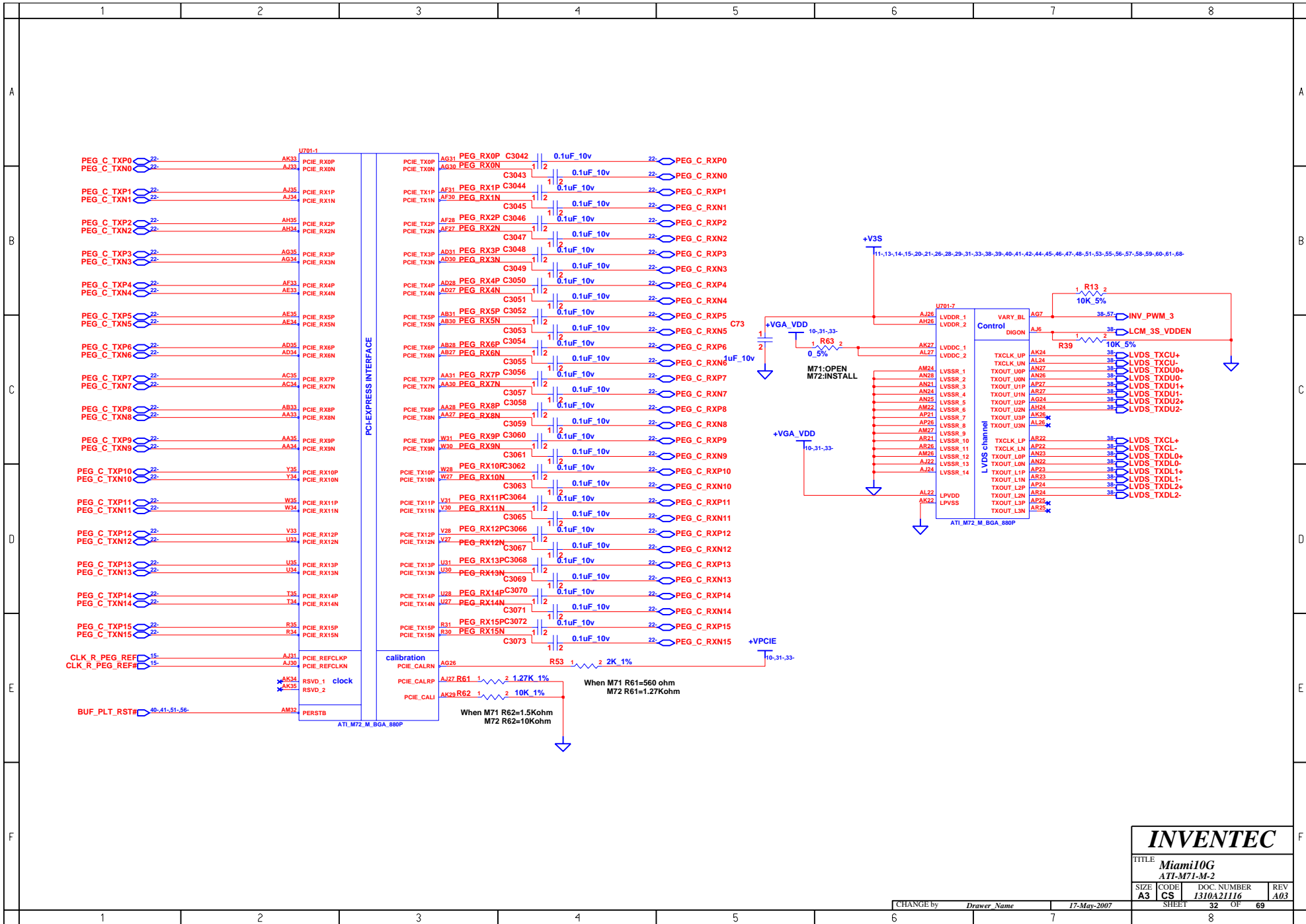


INVENTEC

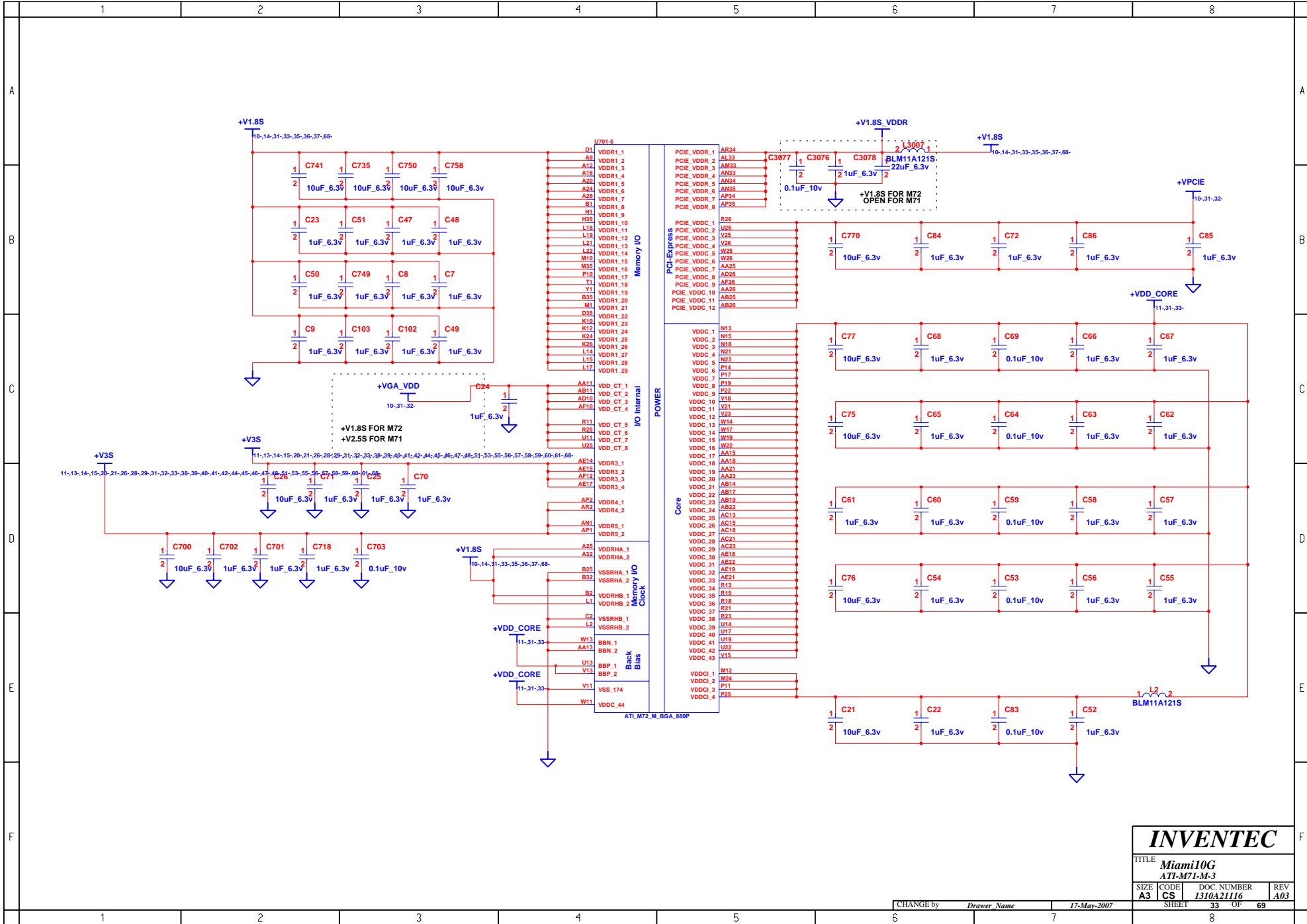
TITLE: Miami10G ATI-M71-M-1

SIZE	CODE	DOC NUMBER	REV
A3	CS	1310A21116	A03

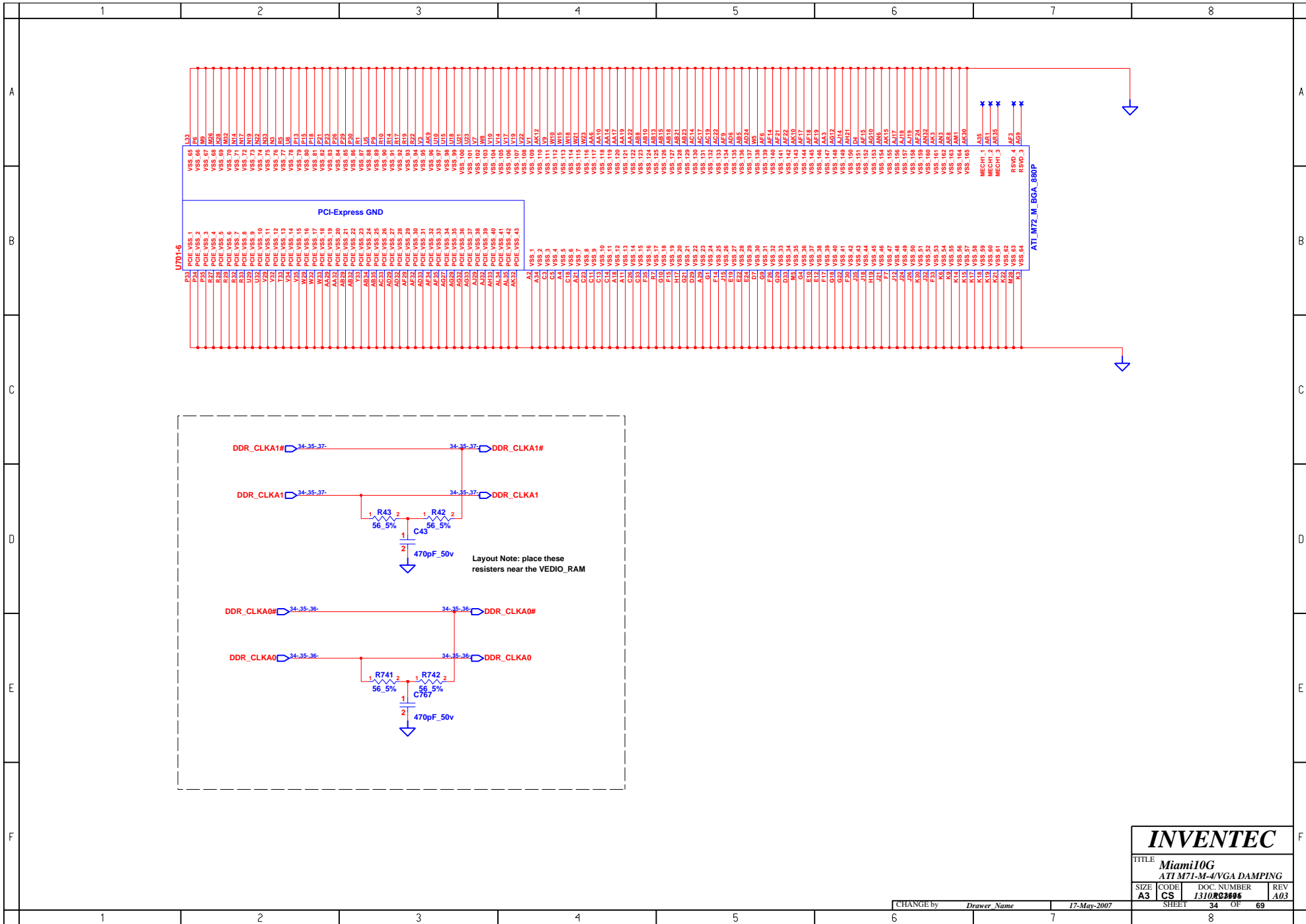
SHEET 31 OF 69



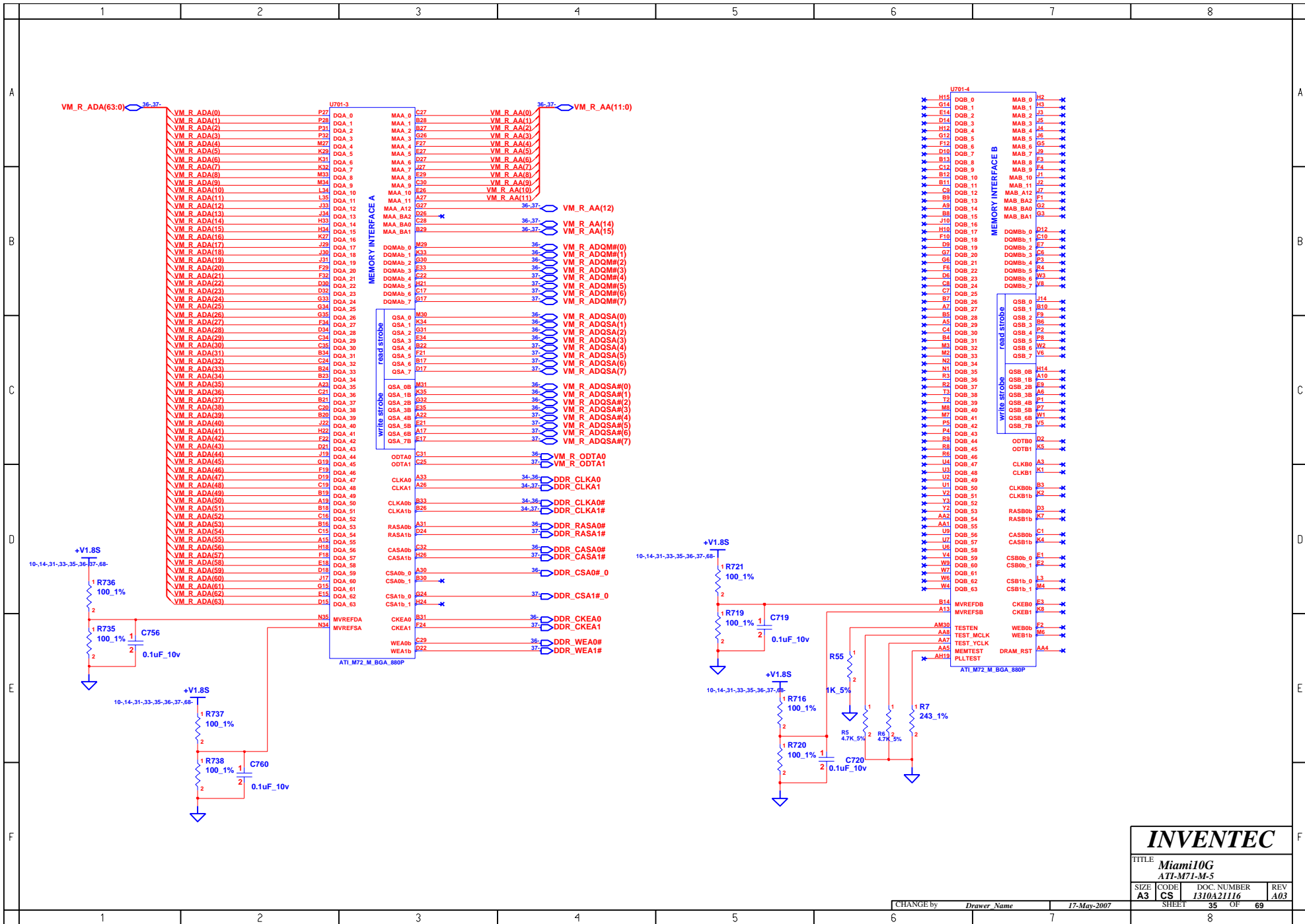
INVENTEC			
TITLE Miami10G ATI-M71-M-2			
SIZE A3	CODE CS	DOC. NUMBER I310A21116	REV A03



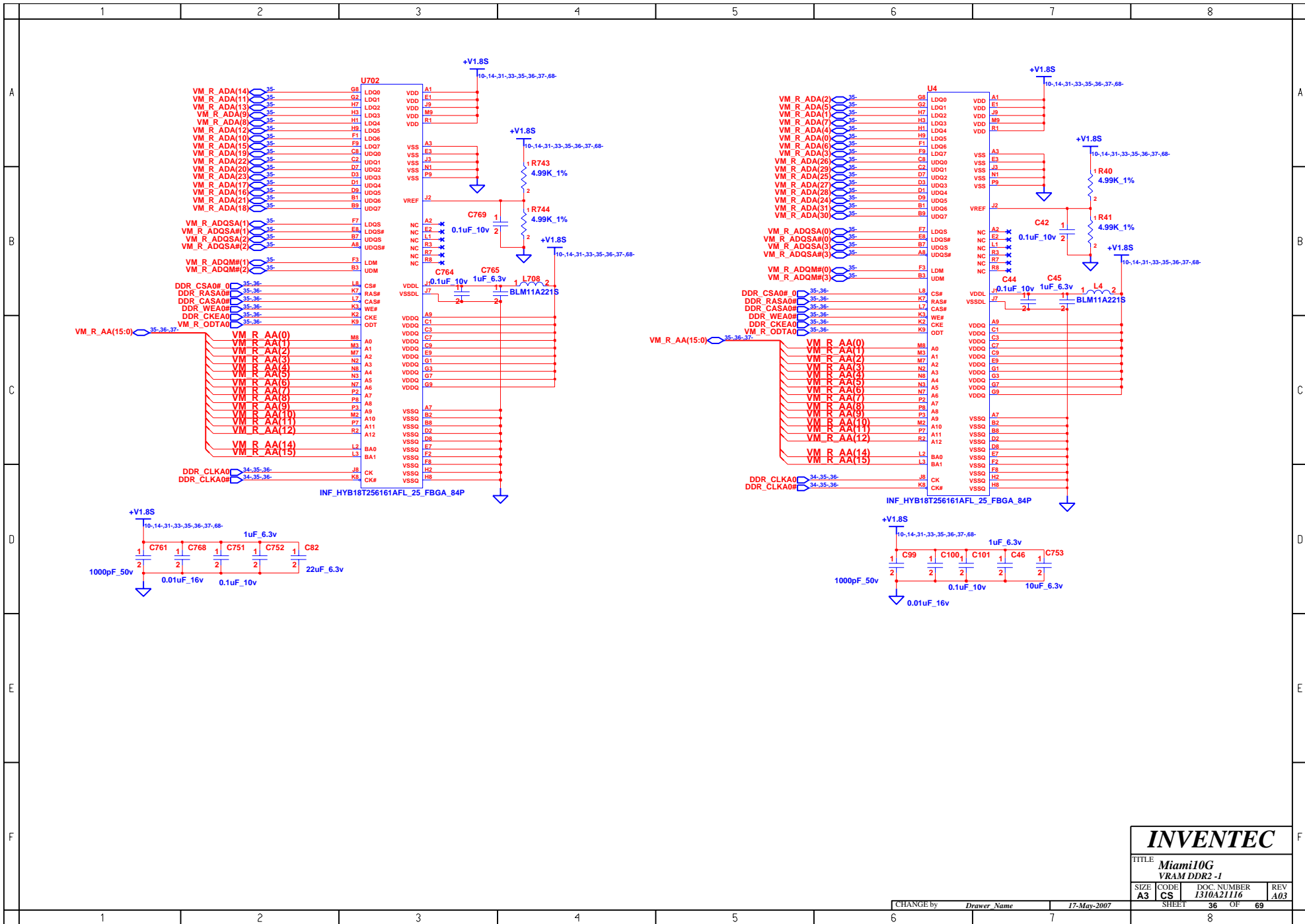
INVENTEC			
TITLE Miami10G ATI-M71-M-3			
SIZE A3	CODE CS	DOC. NUMBER I310A21116	REV A03
CHANGE by <i>Drawer Name</i>		17-May-2007	
SHEET		33 OF 69	



INVENTEC			
TITLE Miami10G ATI M71-M-4VGA DAMPING			
SIZE A3	CODE CS	DOC. NUMBER 1310R020006	REV A03



INVENTEC			
TITLE Miami10G ATI-M71-M-5			
SIZE A3	CODE CS	DOC. NUMBER I310A21116	REV A03
CHANGE by <i>Drawer Name</i>		17-May-2007	
SHEET		35 OF 69	

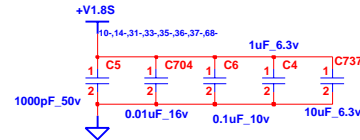
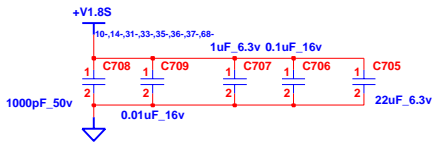
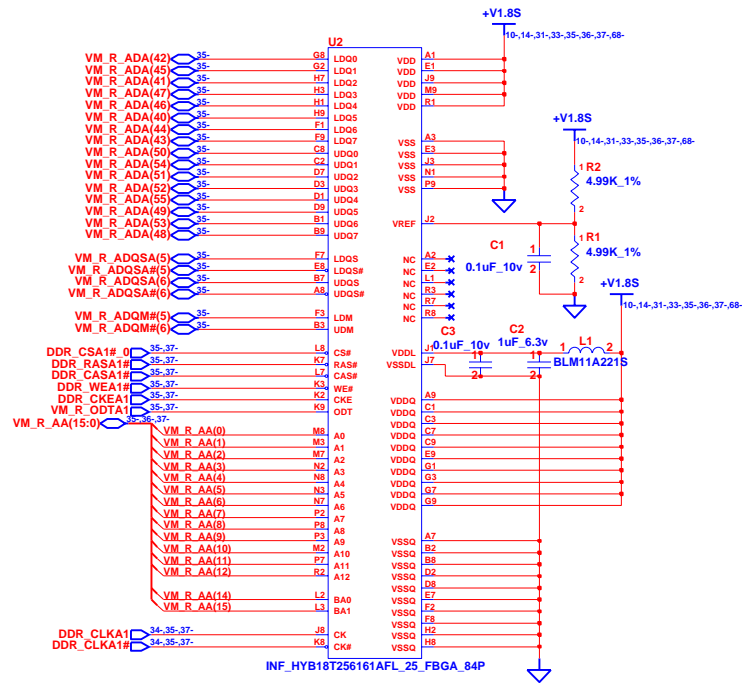
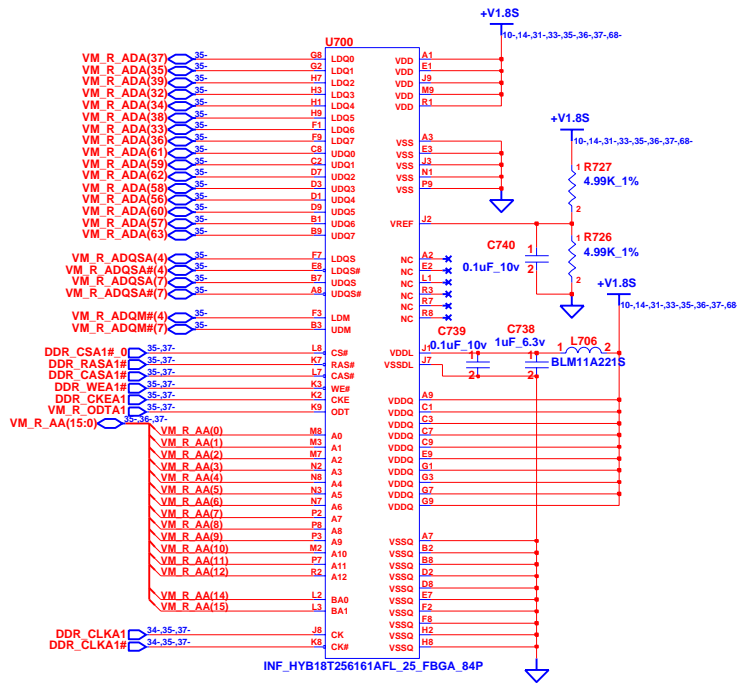


INVENTEC

TITLE
Miami10G
VRAM DDR2-1

SIZE A3	CODE CS	DOC NUMBER I310A21116	REV A03
-------------------	-------------------	---------------------------------	-------------------

CHANGE by *Drawer Name* 17-May-2007 SHEET 36 OF 69

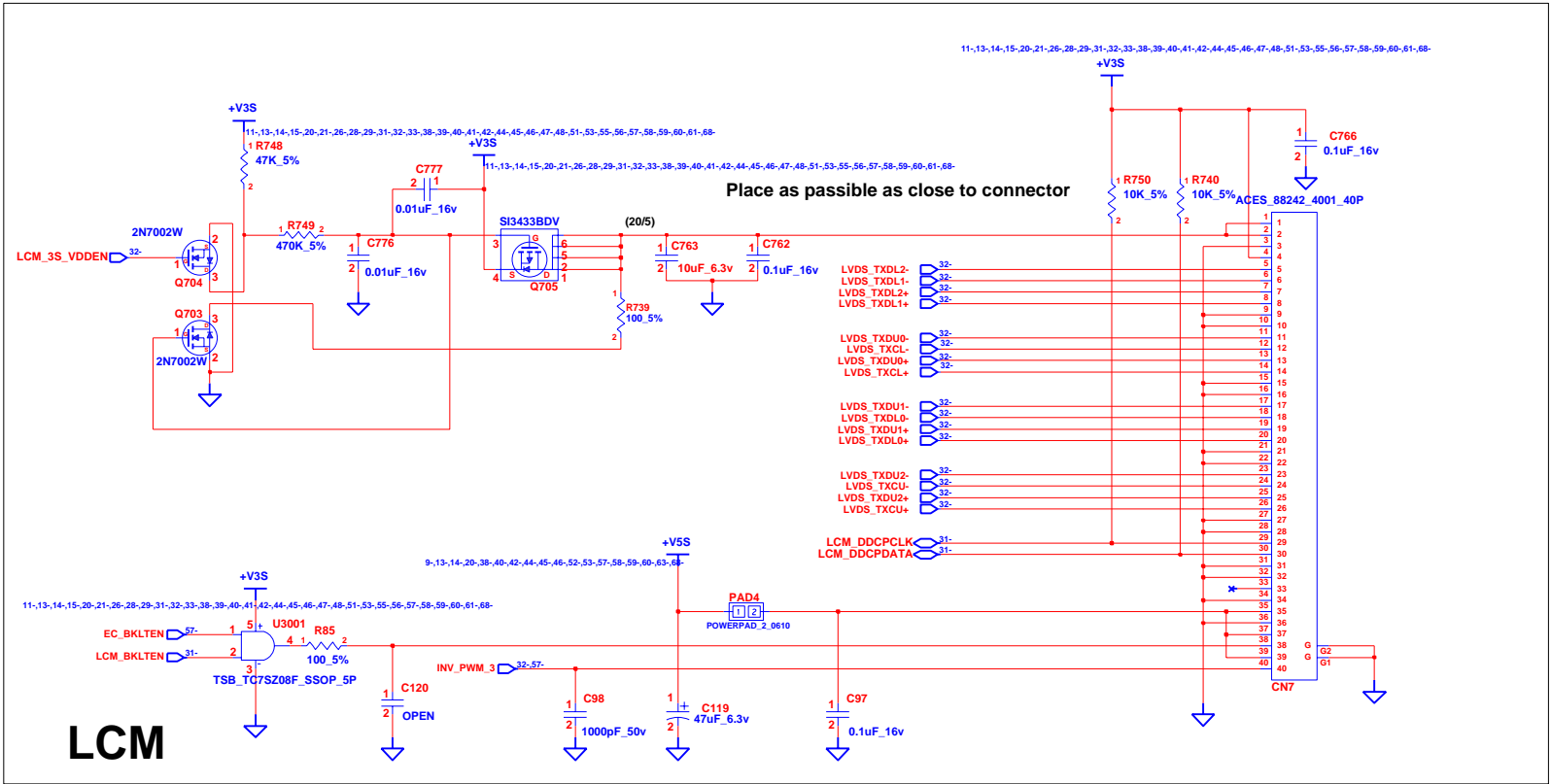


INVENTEC

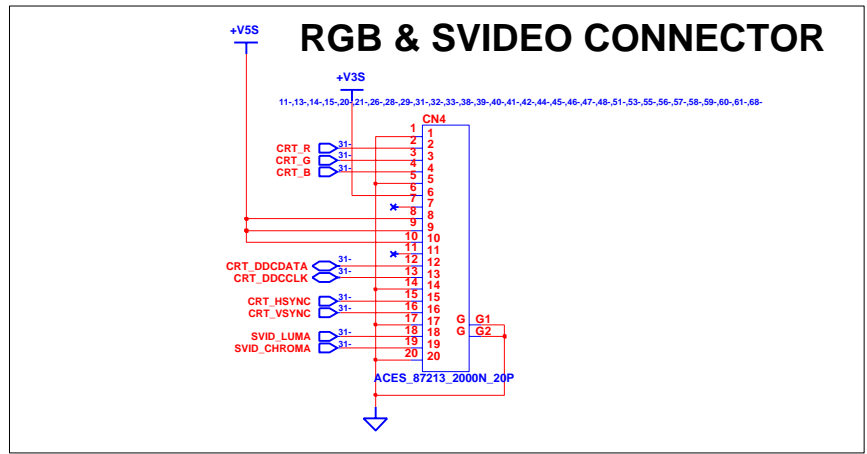
TITLE			
Miami10G			
VRAM DDR2 -2			
SIZE	CODE	DOC. NUMBER	REV
A3	CS	I310A21116	A03

CHANGE by *Drawer Name* 17-May-2007

SHEET 37 OF 69

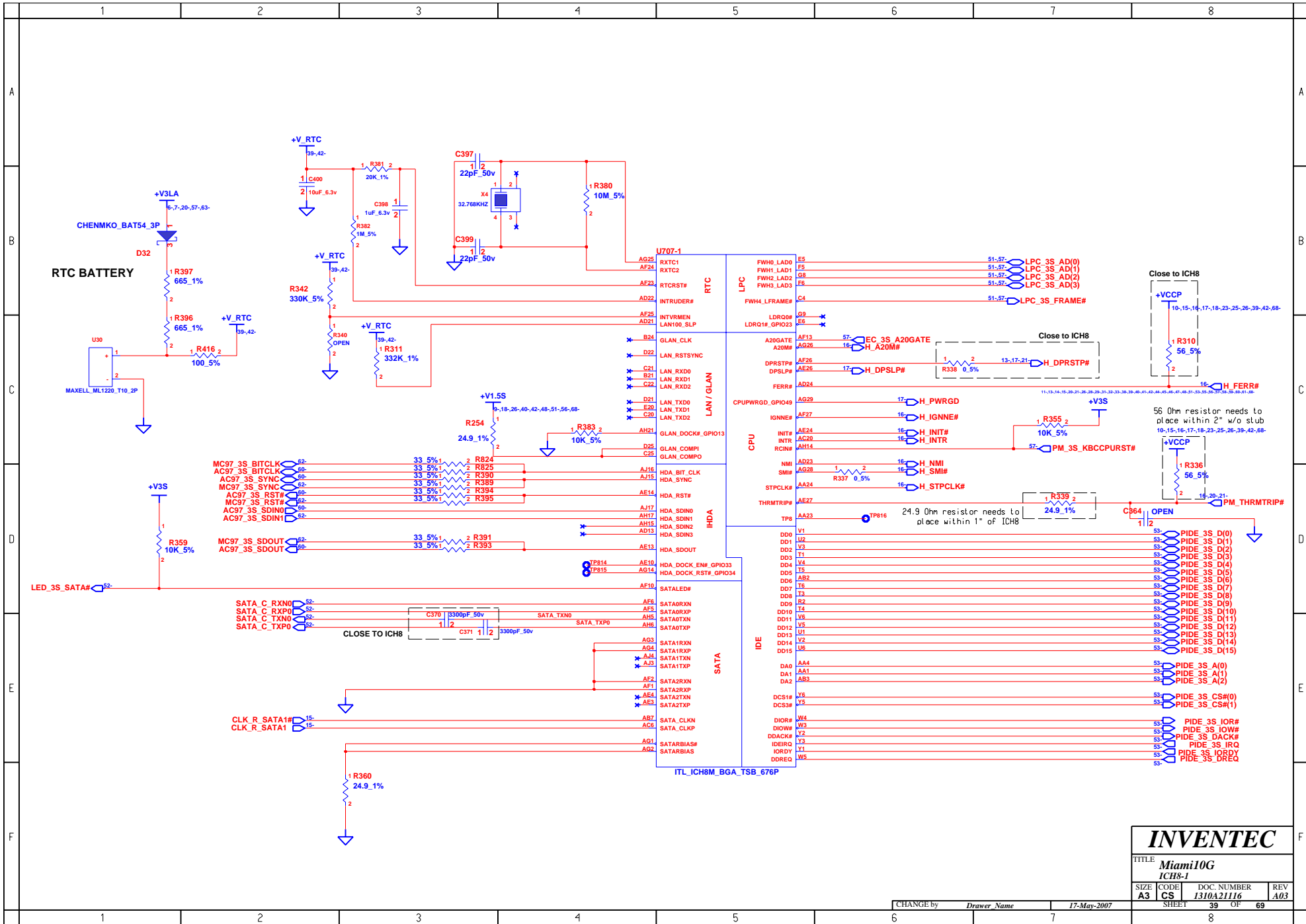


LCM

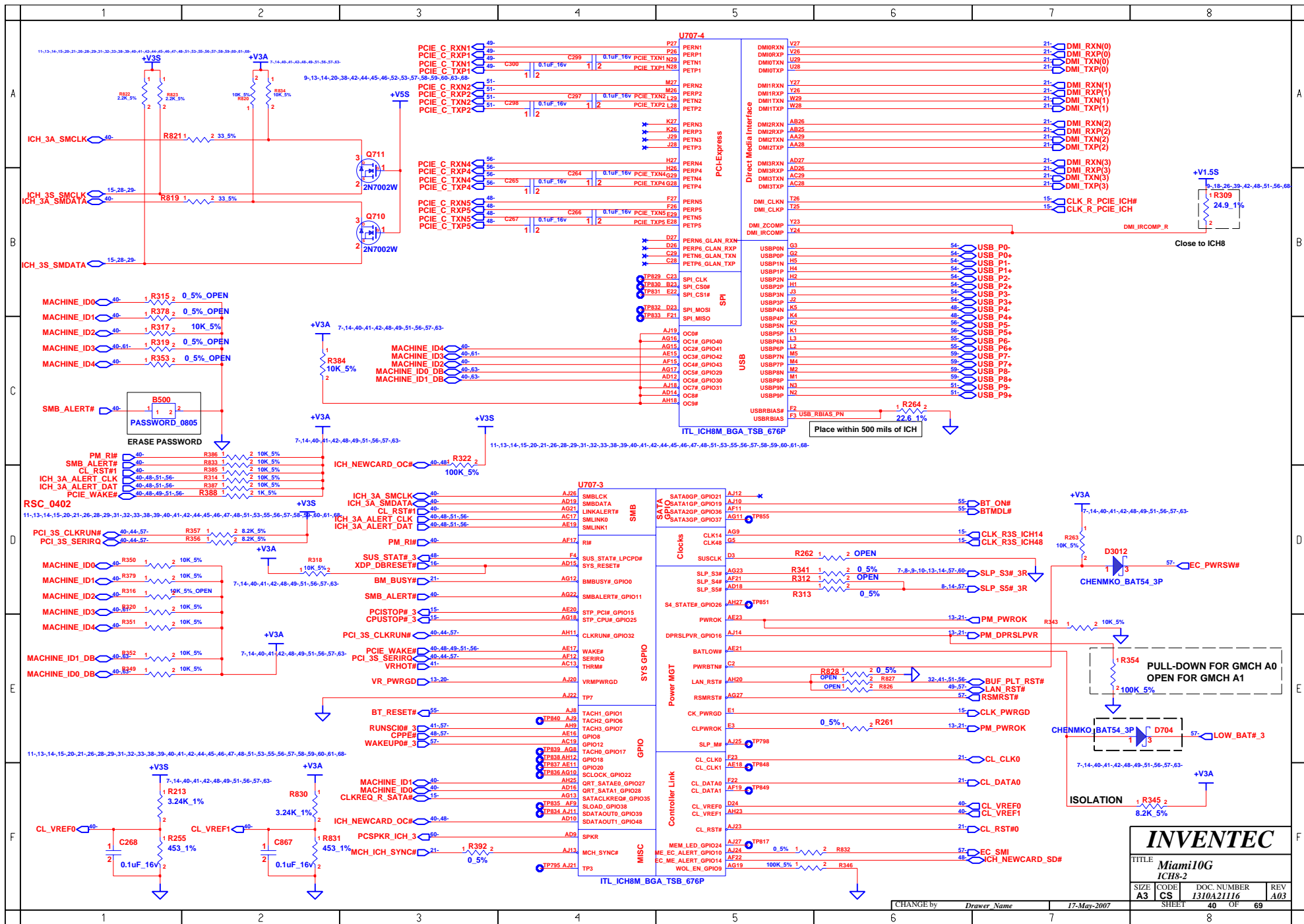


RGB & SVIDEO CONNECTOR

INVENTEC			
TITLE Miami10G			
LCM			
SIZE A3	CODE CS	DOC. NUMBER 1310A2116	REV A03
CHANGE by <i>Drawer Name</i>		27-Sep-2003	
SHEET		38 OF 69	

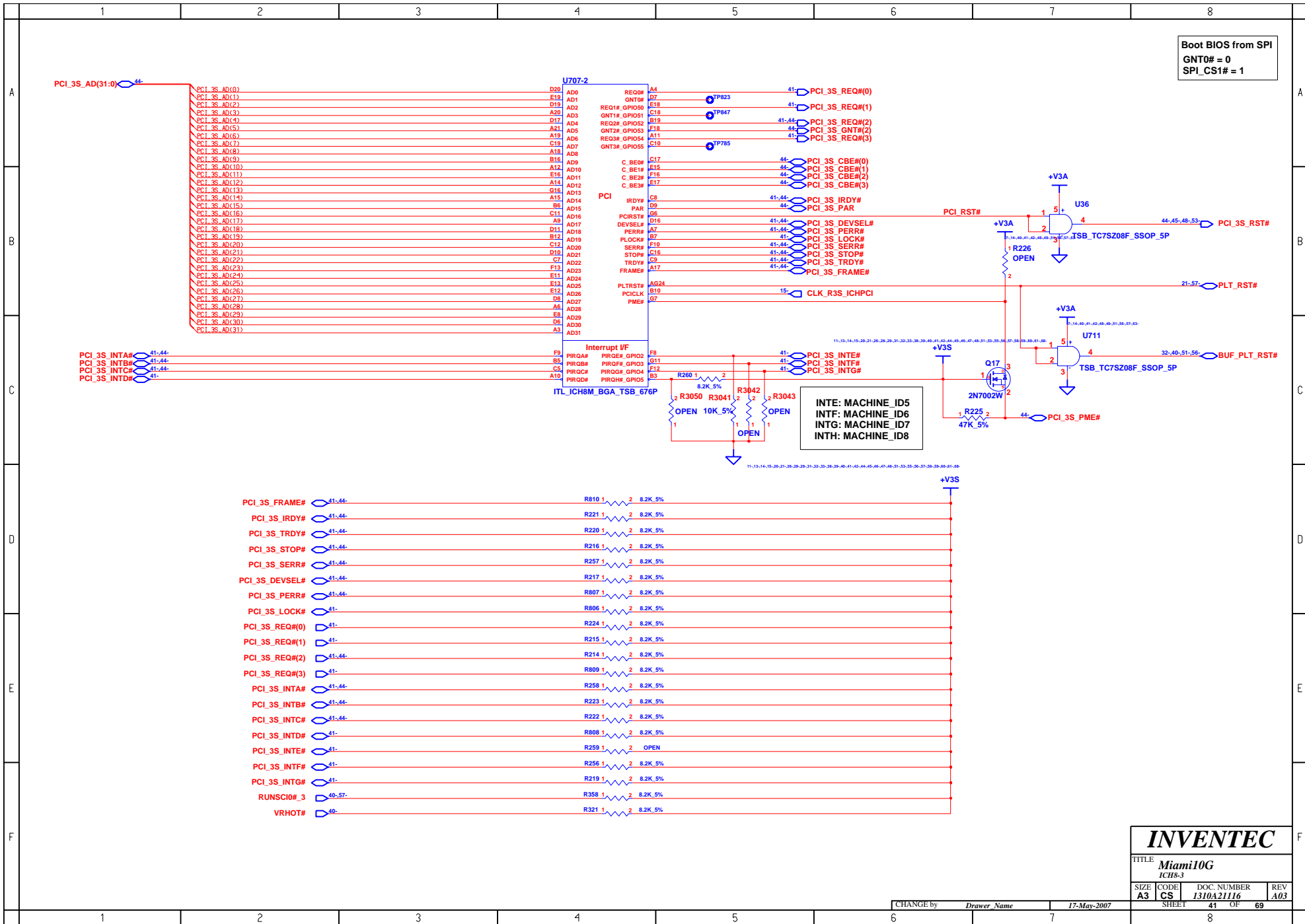


INVENTEC			
TITLE Miami10G ICH8-1			
SIZE A3	CODE CS	DOC. NUMBER I310A21116	REV A03
CHANGE by <i>Drawer Name</i>		17-May-2007	
SHEET 39		OF 69	

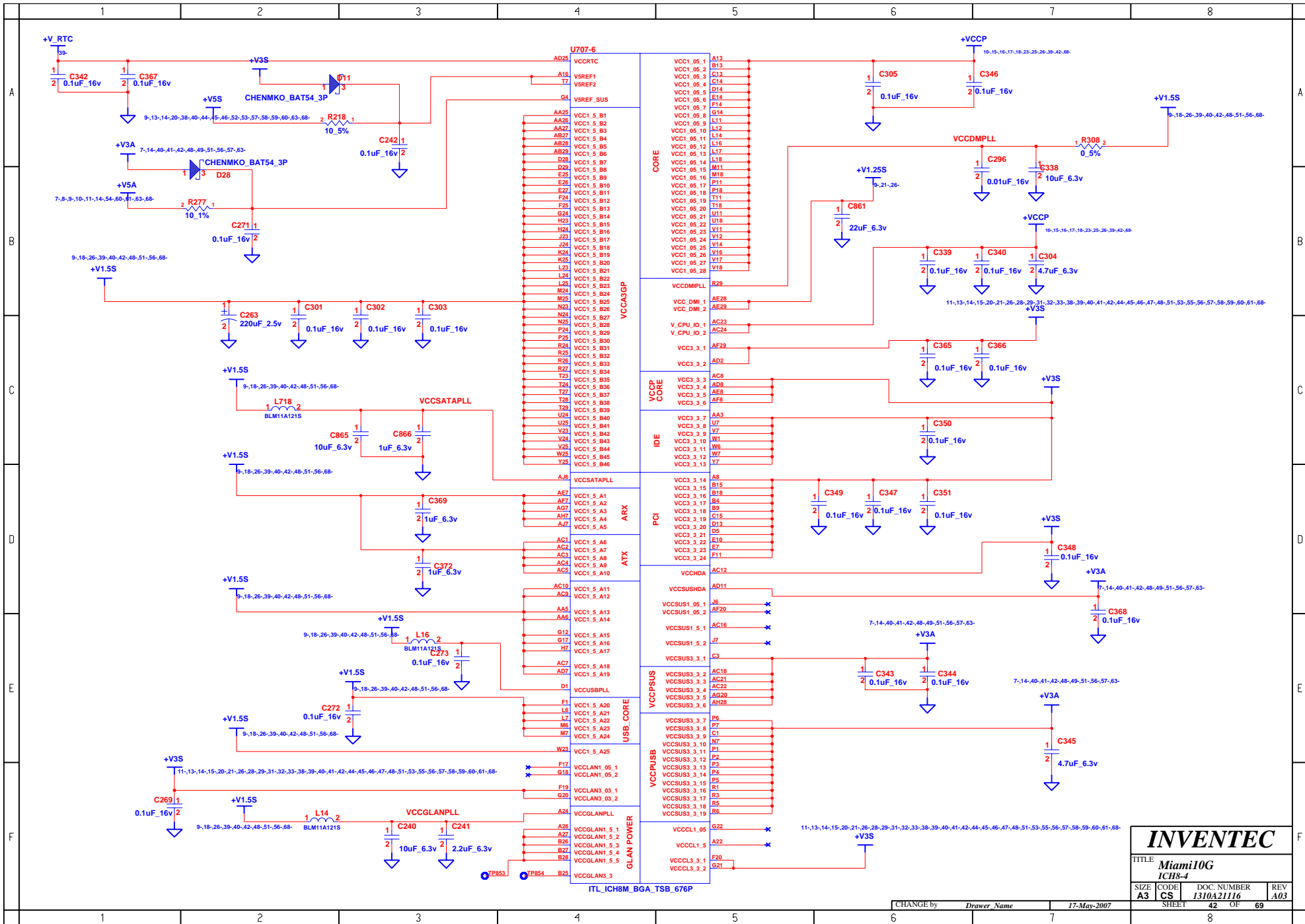


INVENTEC			
TITLE Miami10G ICH8-2			
SIZE A3	CODE CS	DOC. NUMBER 1310A21116	REV A03
SHEET		OF	
40		69	

CHANGE by *Drawer Name* 17-May-2007



INVENTEC			
TITLE <i>Miami10G</i> ICH8-3			
SIZE A3	CODE CS	DOC. NUMBER <i>1310A21116</i>	REV A03
CHANGE by <i>Drawer Name</i>		17-May-2007	
SHEET 41		OF 69	



INVENTEC			
TITLE Miami10G ICH8-4			
SIZE A3	CODE CS	DOC. NUMBER I310A2116	REV A03
CHANGE by <i>Drawer Name</i>		17-May-2007	
SHEET 42		OF 69	

	1	2	3	4	5	6	7	8	
A									A
B									B
C									C
D									D
E									E
F									F

U707-5

A23	VSS001	VSS009	K7
A5	VSS002	VSS100	L1
AA2	VSS003	VSS101	L13
AAZ	VSS004	VSS102	L15
AAZ	VSS005	VSS103	L26
AB1	VSS006	VSS104	L27
AB24	VSS007	VSS105	L4
AC11	VSS008	VSS106	L5
AC14	VSS009	VSS107	M12
AC25	VSS010	VSS108	M13
AC26	VSS011	VSS109	M14
AC27	VSS012	VSS110	M15
AD17	VSS013	VSS111	M16
AD20	VSS014	VSS112	M17
AD28	VSS015	VSS113	M23
AD29	VSS016	VSS114	M28
AD3	VSS017	VSS115	M29
AD4	VSS018	VSS116	M3
AD6	VSS019	VSS117	N1
AE1	VSS020	VSS118	N11
AE12	VSS021	VSS119	N12
AE2	VSS022	VSS120	N13
AE22	VSS023	VSS121	N14
AD1	VSS024	VSS122	N15
AE25	VSS025	VSS103	N16
AE5	VSS026	VSS124	N17
AE6	VSS027	VSS125	N18
AE9	VSS028	VSS126	N26
AF14	VSS029	VSS127	N27
AF16	VSS030	VSS128	N4
AF18	VSS031	VSS129	N5
AF3	VSS032	VSS130	N6
AF4	VSS033	VSS131	P12
AG5	VSS034	VSS132	P13
AG6	VSS035	VSS133	P14
AH10	VSS036	VSS134	P15
AH13	VSS037	VSS135	P16
AH16	VSS038	VSS136	P17
AH19	VSS039	VSS137	P23
AH2	VSS040	VSS138	P28
AF28	VSS041	VSS139	P29
AH22	VSS042	VSS140	R11
AH24	VSS043	VSS141	R12
AH26	VSS044	VSS142	R13
AH3	VSS045	VSS143	R14
AH4	VSS046	VSS144	R15
AH8	VSS047	VSS145	R16
AJ5	VSS048	VSS146	R17
B11	VSS049	VSS147	R18
B14	VSS050	VSS148	R28
B17	VSS051	VSS149	R4
B2	VSS052	VSS150	T12
B20	VSS053	VSS151	T13
B22	VSS054	VSS152	T14
BB	VSS055	VSS153	T15
C24	VSS056	VSS154	T16
C26	VSS057	VSS155	T17
C27	VSS058	VSS156	T2
C6	VSS059	VSS157	U12
D12	VSS060	VSS158	U13
D15	VSS061	VSS159	U14
D18	VSS062	VSS160	U15
D2	VSS063	VSS161	U16
D4	VSS064	VSS162	U17
E1	VSS065	VSS163	U23
E24	VSS066	VSS164	U26
E4	VSS067	VSS165	U27
E9	VSS068	VSS166	U3
F16	VSS069	VSS167	U8
E23	VSS070	VSS168	V13
F28	VSS071	VSS169	V15
F29	VSS072	VSS170	V28
F7	VSS073	VSS171	V29
G1	VSS074	VSS172	W2
E2	VSS075	VSS173	W26
G10	VSS076	VSS174	W27
G13	VSS077	VSS175	V28
G19	VSS078	VSS176	V29
G23	VSS079	VSS177	Y4
G25	VSS080	VSS178	AB4
G26	VSS081	VSS179	AB33
G27	VSS082	VSS180	AB5
H25	VSS083	VSS181	AB6
H28	VSS084	VSS182	AD5
H29	VSS085	VSS183	U4
H3	VSS086	VSS184	W24
H6	VSS087	VSS NCTF. 01	A1
J1	VSS088	VSS NCTF. 02	A2
J6	VSS089	VSS NCTF. 03	A28
J26	VSS090	VSS NCTF. 04	A29
J27	VSS091	VSS NCTF. 05	AH1
J6	VSS092	VSS NCTF. 06	AH29
J5	VSS093	VSS NCTF. 07	AJ1
K23	VSS094	VSS NCTF. 08	AJ2
K28	VSS095	VSS NCTF. 09	AJ28
K28	VSS096	VSS NCTF. 010	AJ29
K3	VSS097	VSS NCTF. 011	B1
K6	VSS098	VSS NCTF. 012	B29

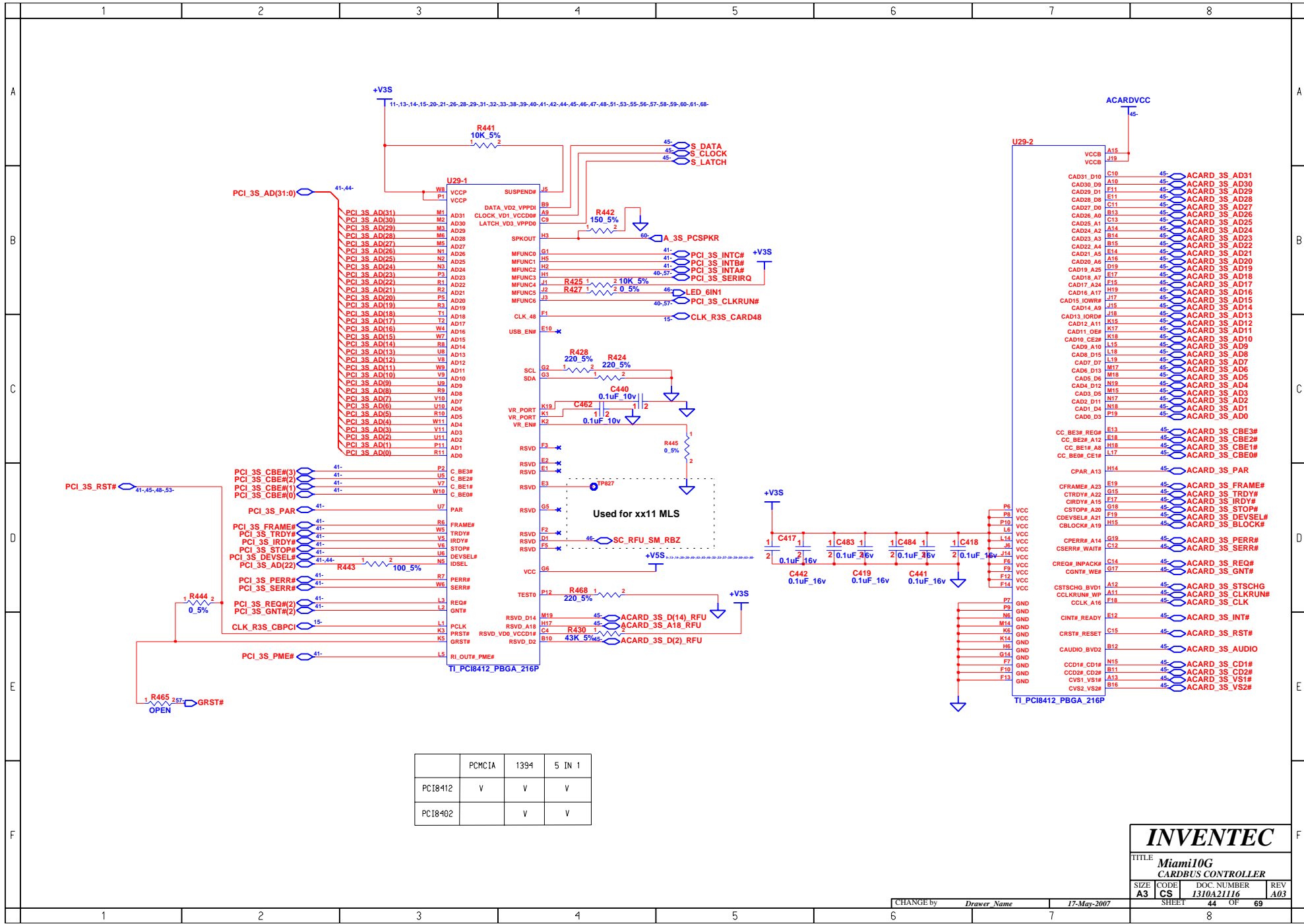
ITL_ICH8M_BGA_TSB_676P

INVENTEC

TITLE **Miami10G**
ICH8-5

SIZE	CODE	DOC. NUMBER	REV
A3	CS	1310A21116	A03

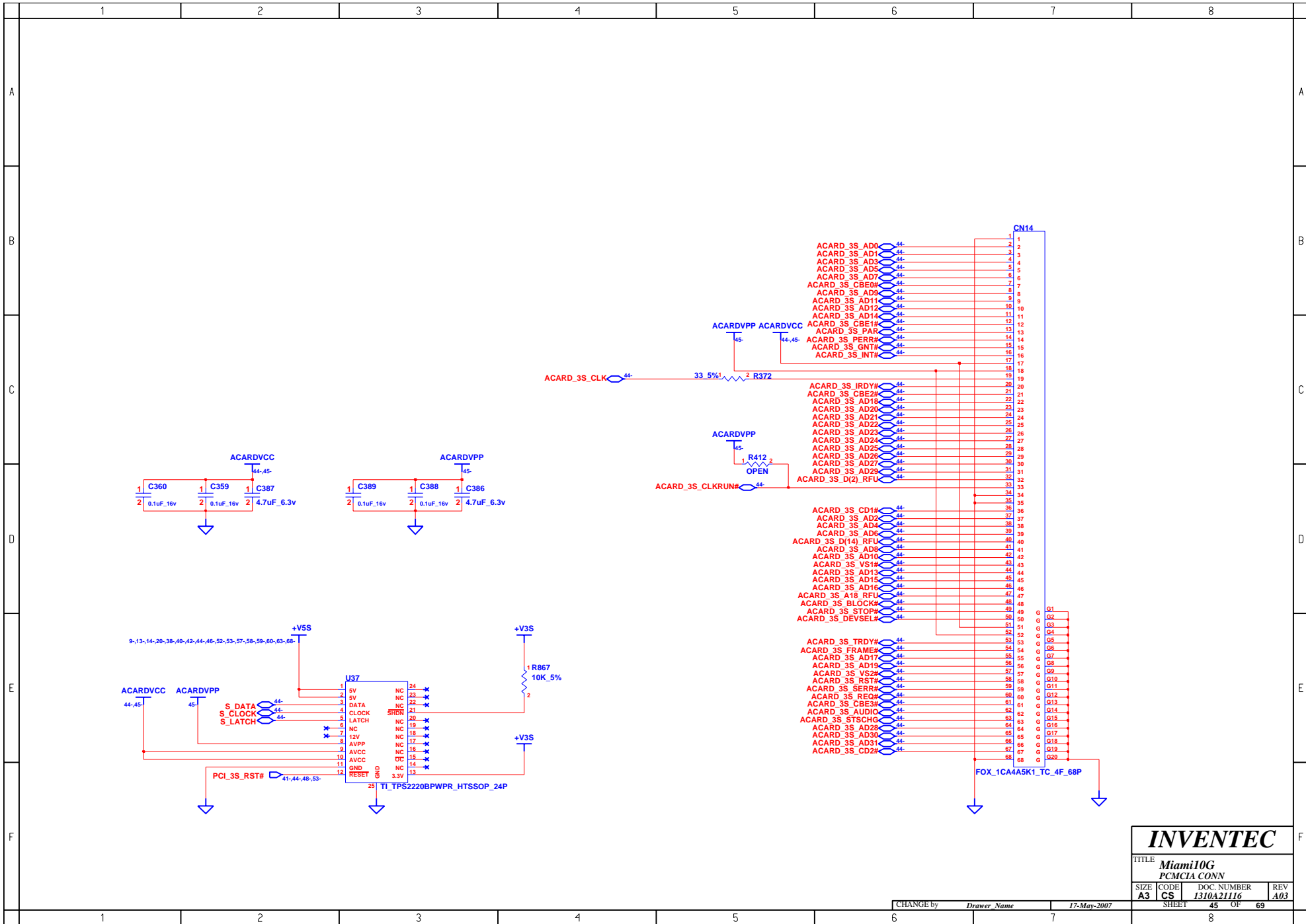
SHEET 43 OF 69



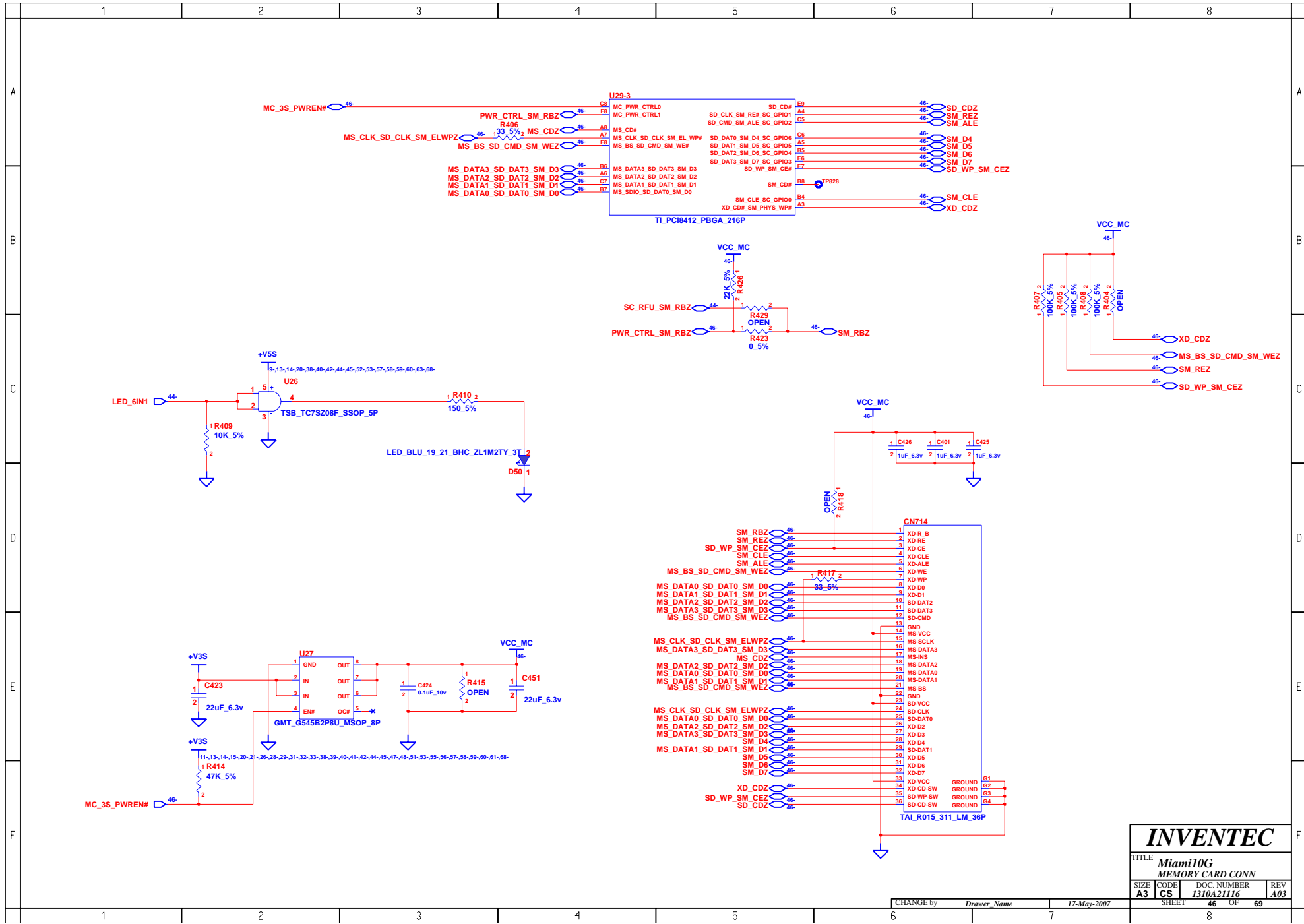
INVENTEC

TITLE: **Miami10G CARBUS CONTROLLER**

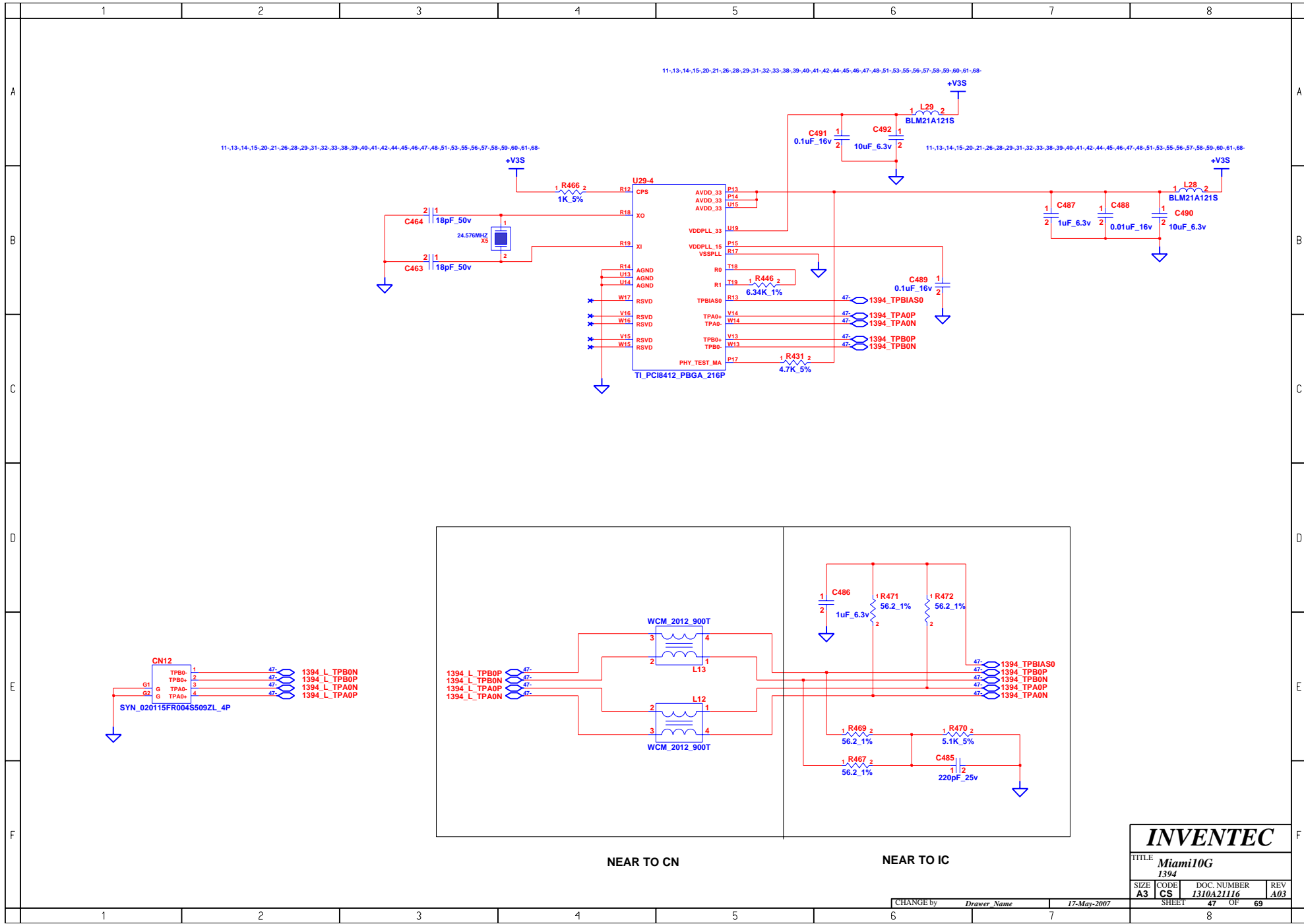
SIZE	CODE	DOC. NUMBER	REV
A3	CS	1310A21116	A03



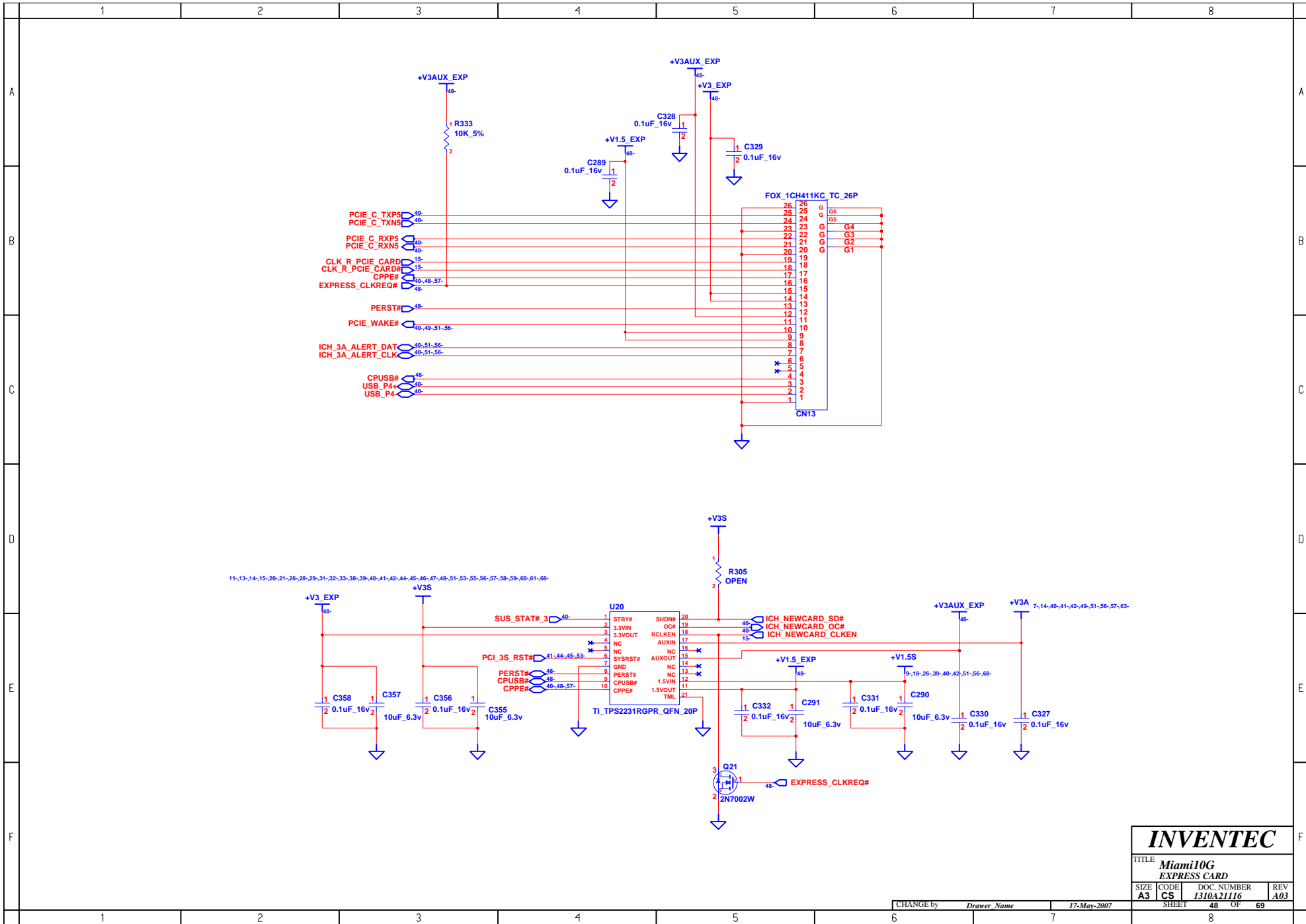
INVENTEC			
TITLE Miami10G PCMCIA CONN			
SIZE A3	CODE CS	DOC. NUMBER 1310A21116	REV A03
CHANGE by <i>Drawer Name</i>		17-May-2007	
SHEET 45		OF 69	



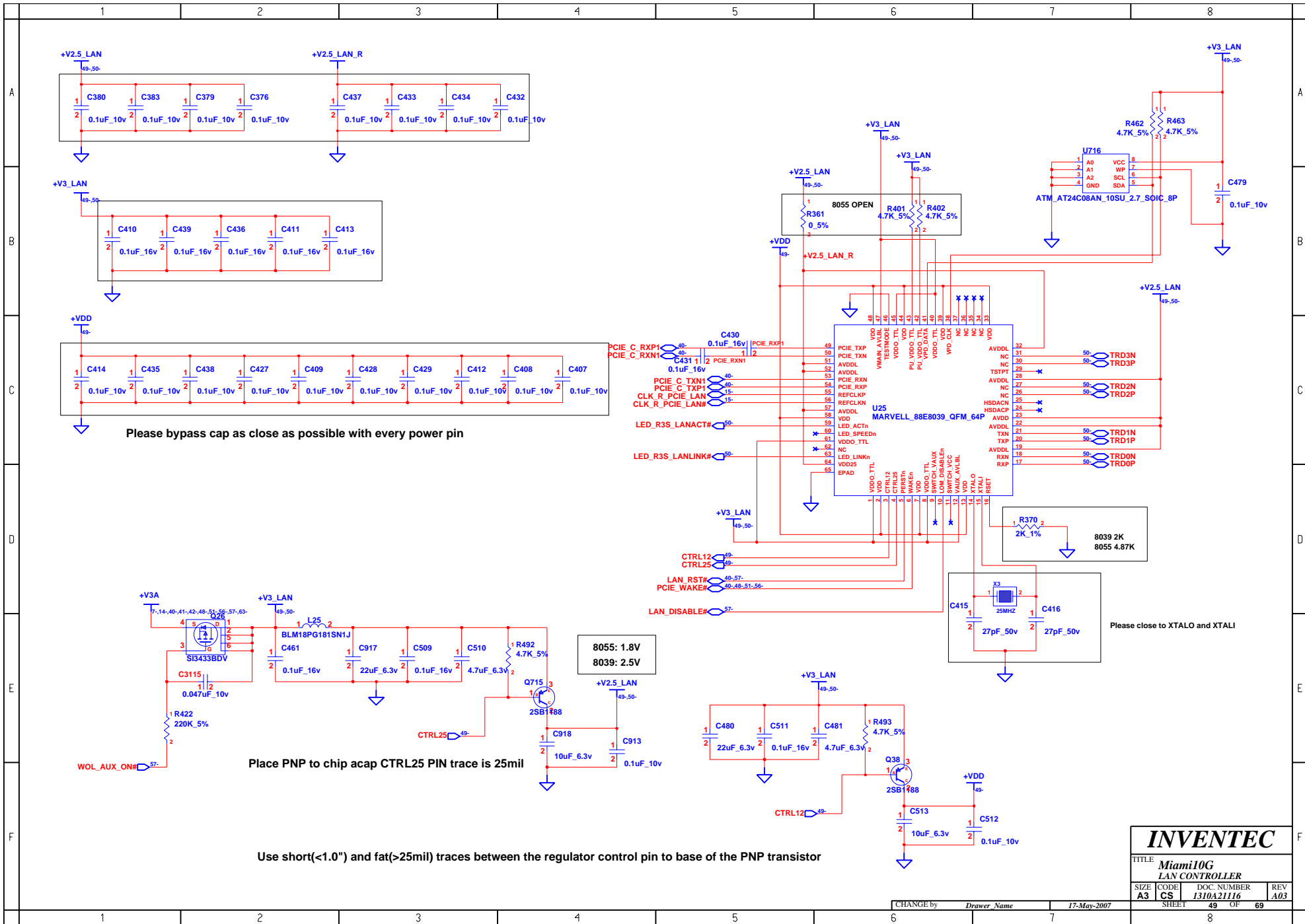
INVENTEC			
TITLE Miami10G MEMORY CARD CONN			
SIZE A3	CODE CS	DOC. NUMBER 1310A21116	REV A03
CHANGE by <i>Drawer Name</i>		17-May-2007	
SHEET 46		OF 69	



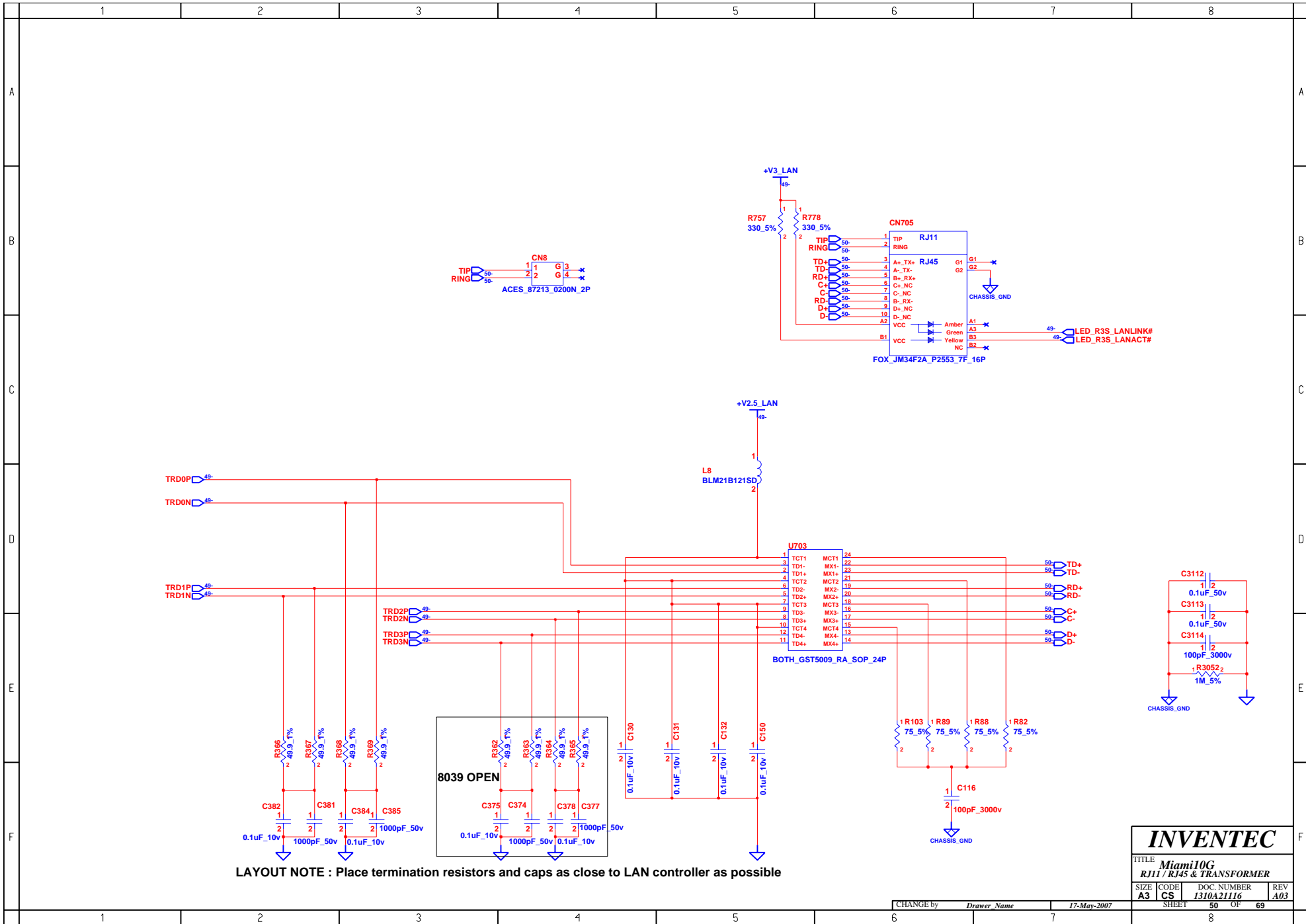
INVENTEC			
TITLE			
<i>Miami10G</i>			
1394			
SIZE	CODE	DOC. NUMBER	REV
A3	CS	1310A21116	A03
CHANGE by		Drawer Name	17-May-2007
		SHEET	47 OF 69



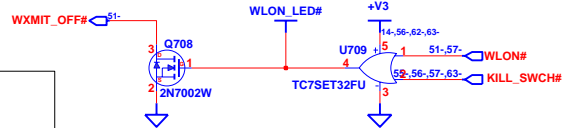
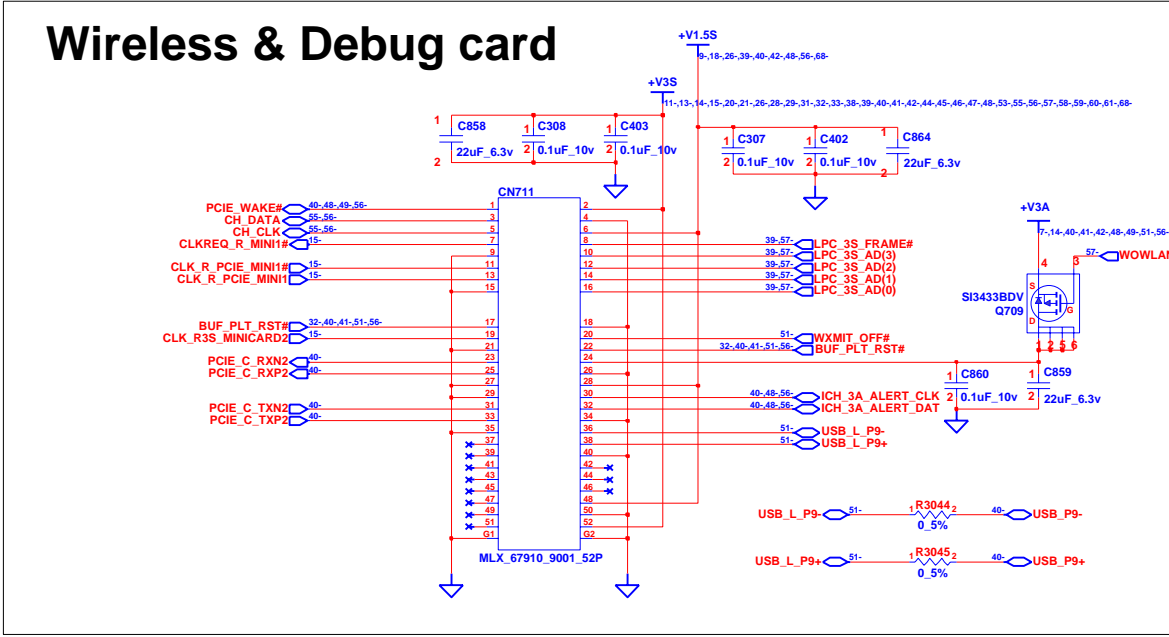
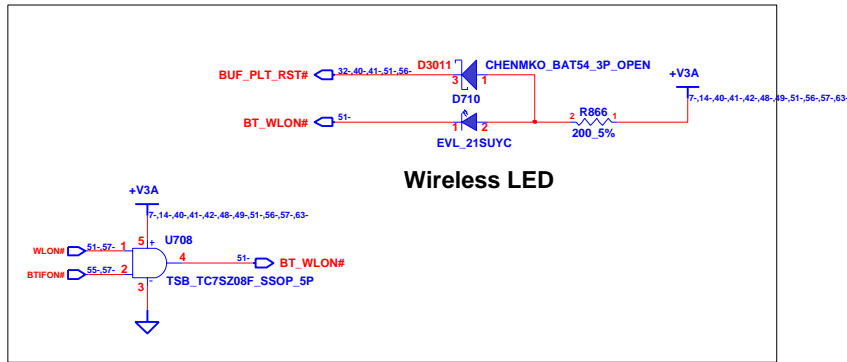
INVENTEC			
TITLE Miami10G EXPRESS CARD			
SIZE A3	CODE CS	DOC. NUMBER 1310A21116	REV A03
CHANGE by <i>Drawer Name</i>		17-May-2007	
SHEET 48		OF 69	



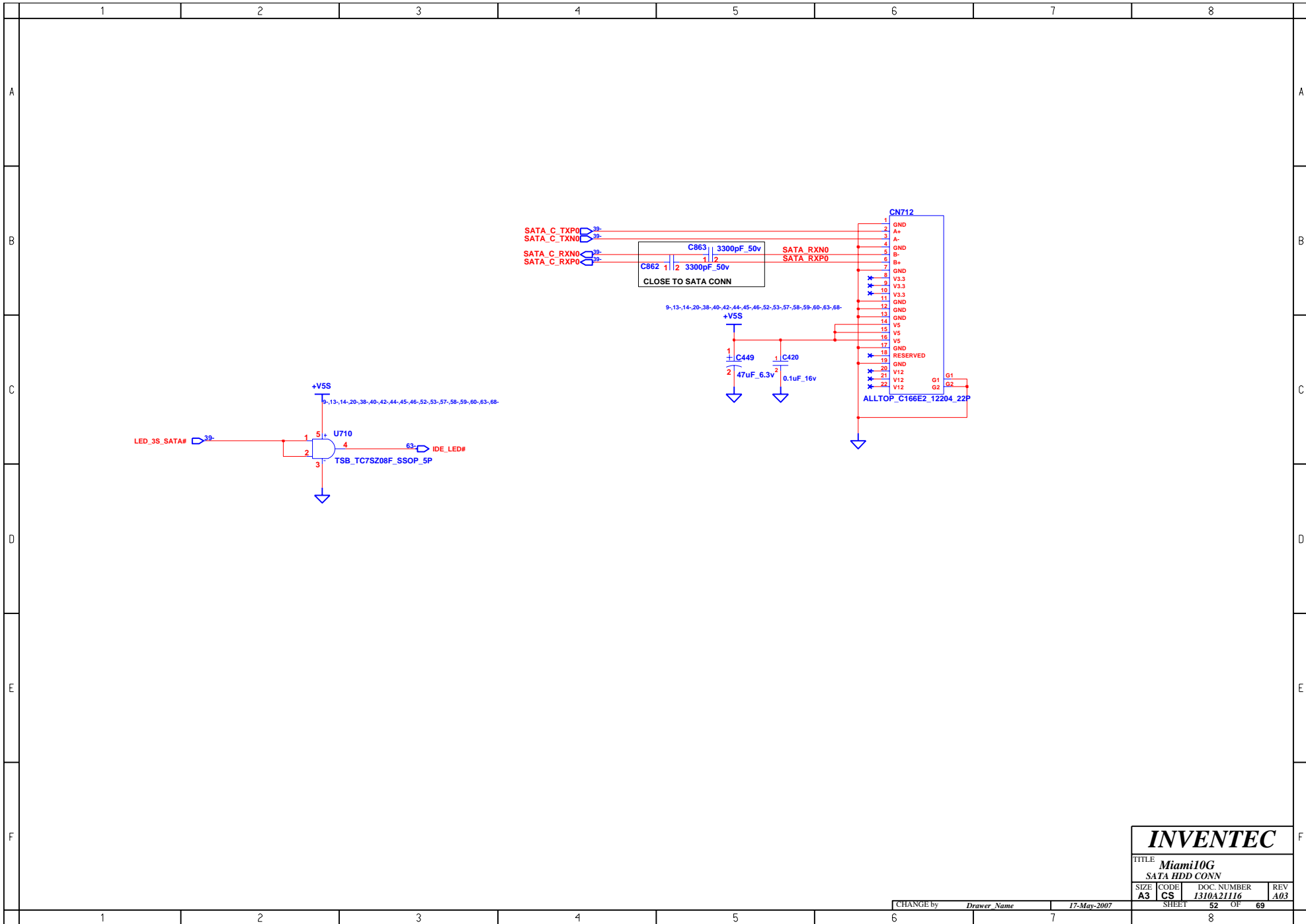
INVENTEC			
TITLE Miami10G LAN CONTROLLER			
SIZE A3	CODE CS	DOC. NUMBER 1310A21116	REV A03
CHANGE by <i>Drawer Name</i>		17-May-2007	
SHEET 49		OF 69	



INVENTEC			
TITLE <i>Miami10G</i>			
RJ11/RJ45 & TRANSFORMER			
SIZE A3	CODE CS	DOC. NUMBER 1310A21116	REV A03
CHANGE by <i>Drawer Name</i>		17-May-2007	SHEET 50 OF 69



INVENTEC			
TITLE Miami10G Wireless LAN			
SIZE A3	CODE CS	DOC. NUMBER 1310A21116	REV A03
CHANGE by <i>Drawer Name</i>		17-May-2007	SHEET 51 OF 69



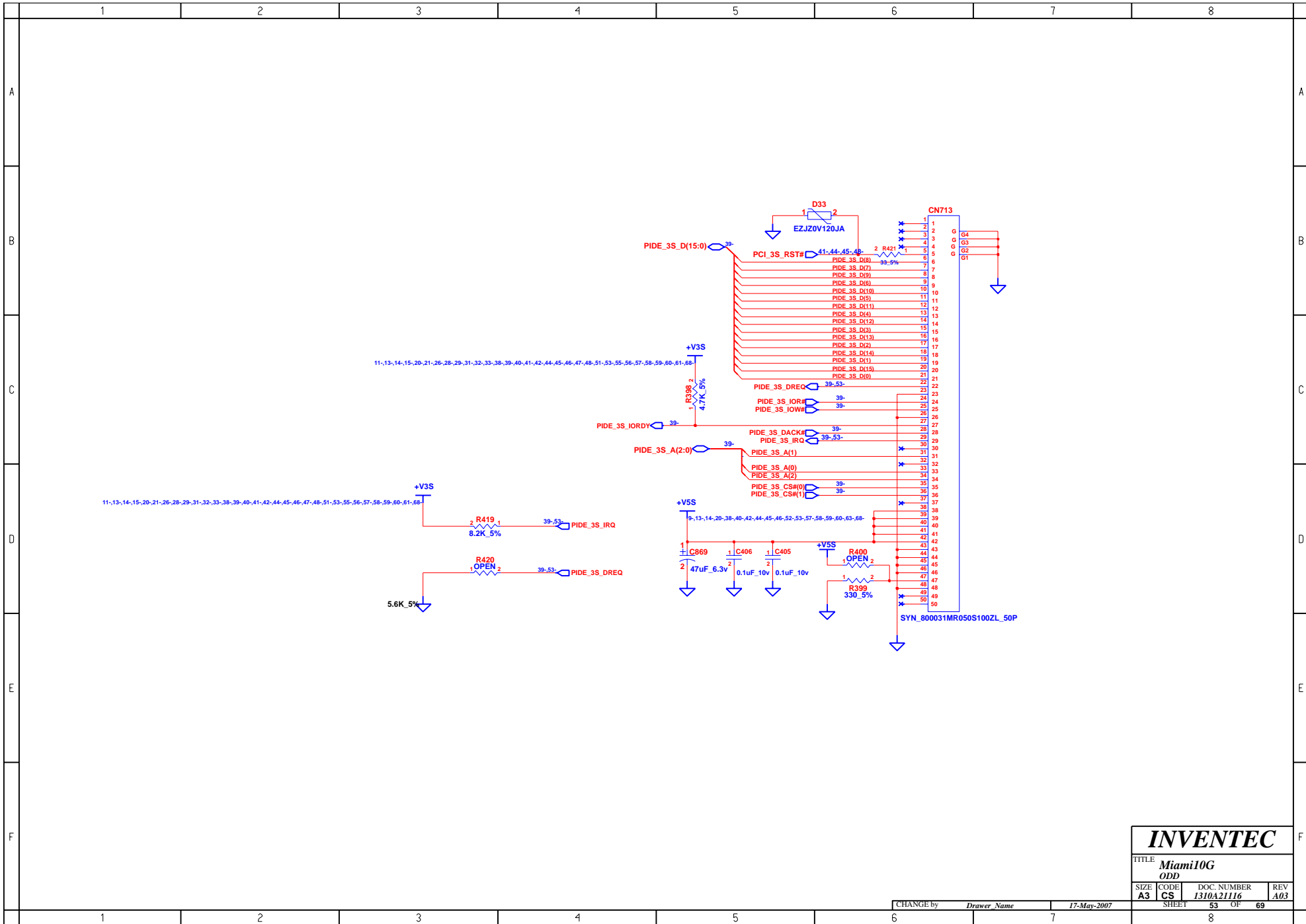
INVENTEC

TITLE **Miami10G**
SATA HDD CONN

SIZE	CODE	DOC. NUMBER	REV
A3	CS	1310A21116	A03

CHANGE by *Drawer Name* 17-May-2007

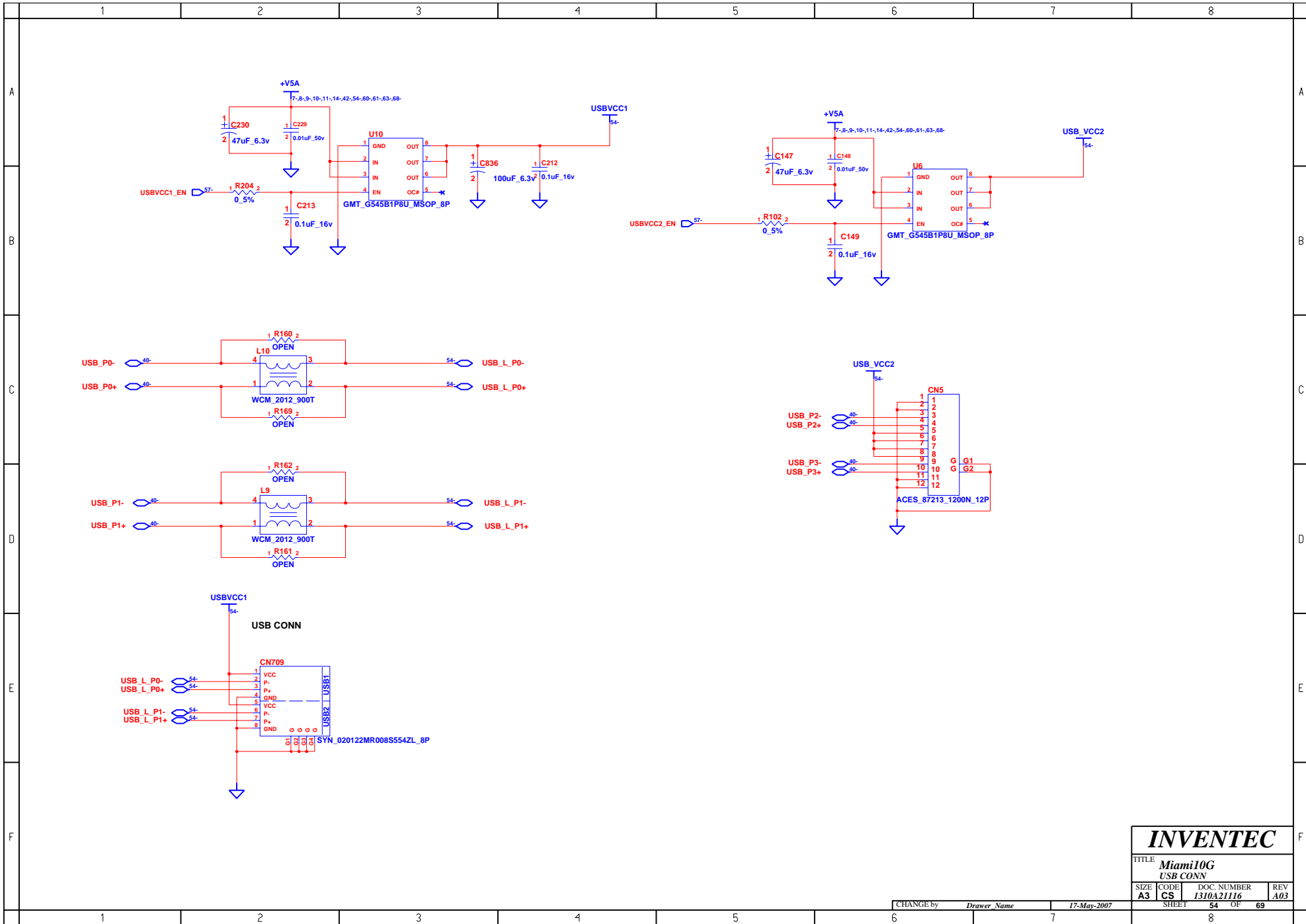
SHEET 52 OF 69



INVENTEC

TITLE **Miami10G**
ODD

SIZE A3	CODE CS	DOC. NUMBER 1310A21116	REV A03
CHANGE by <i>Drawer Name</i>		17-May-2007	
SHEET 53		OF 69	

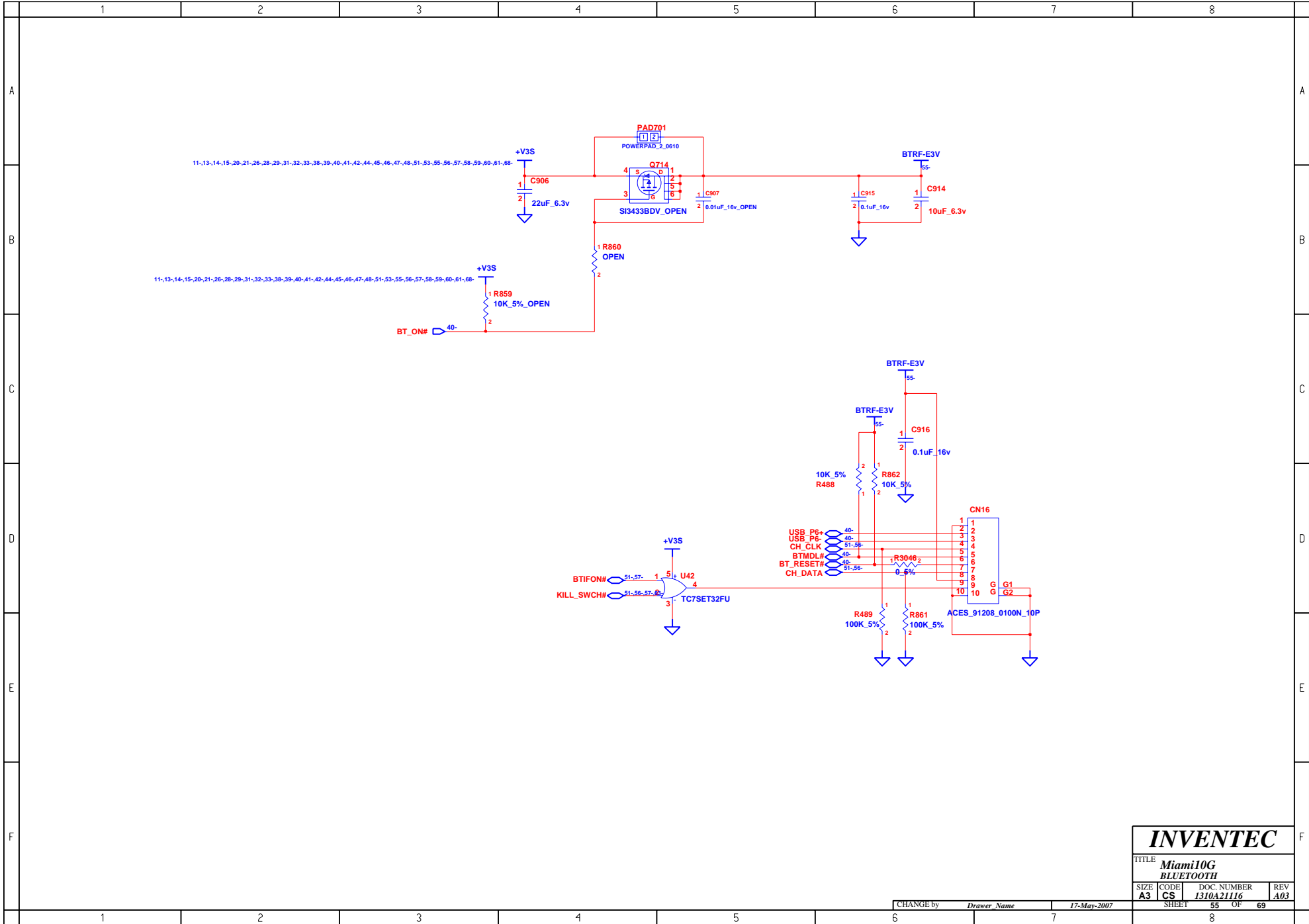


INVENTEC

TITLE
Miami10G
 USB CONN

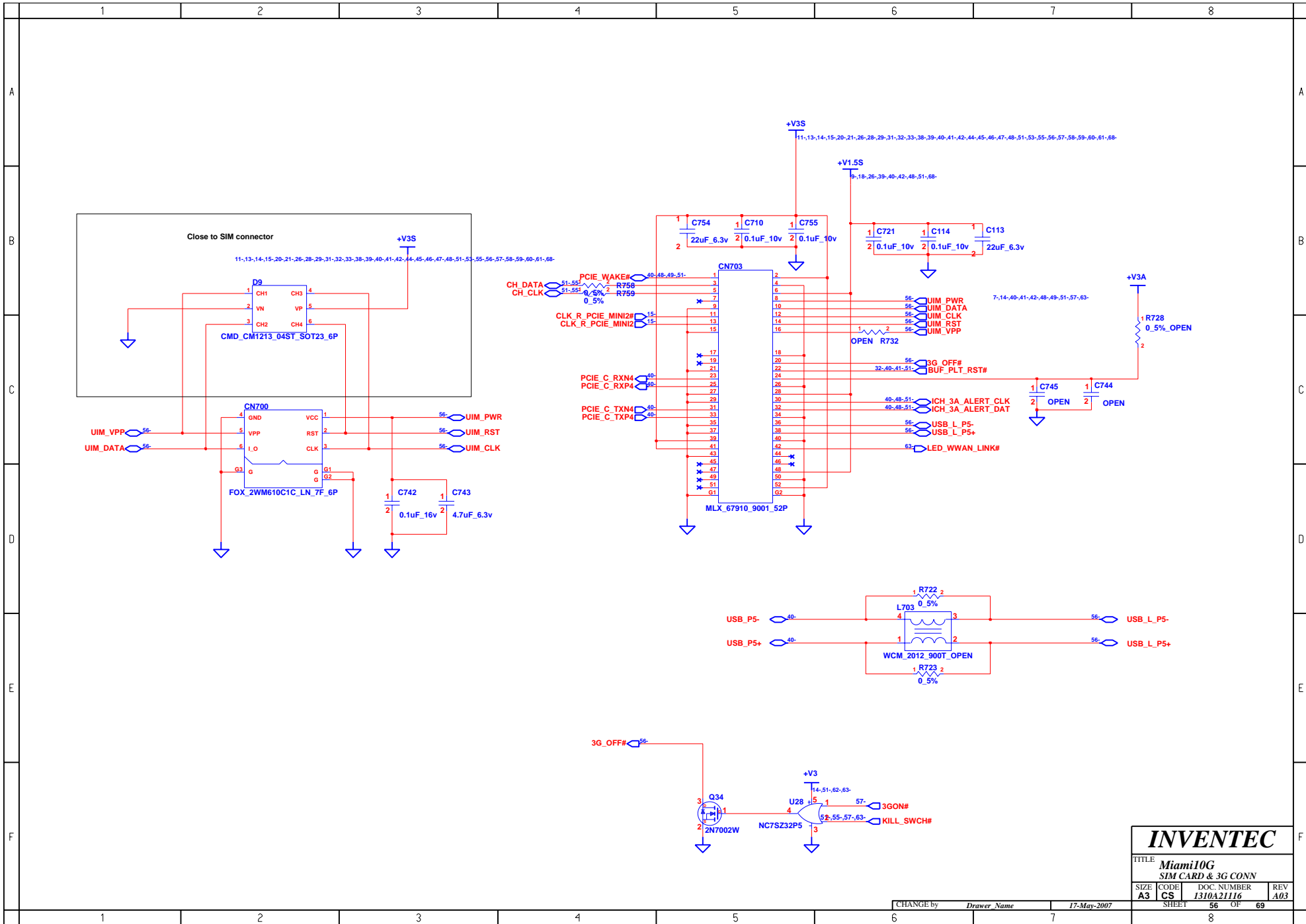
SIZE A3	CODE CS	DOC. NUMBER 1310A21116	REV A03
-------------------	-------------------	----------------------------------	-------------------

CHANGE by *Drawer Name* 17-May-2007
 SHEET 54 OF 69

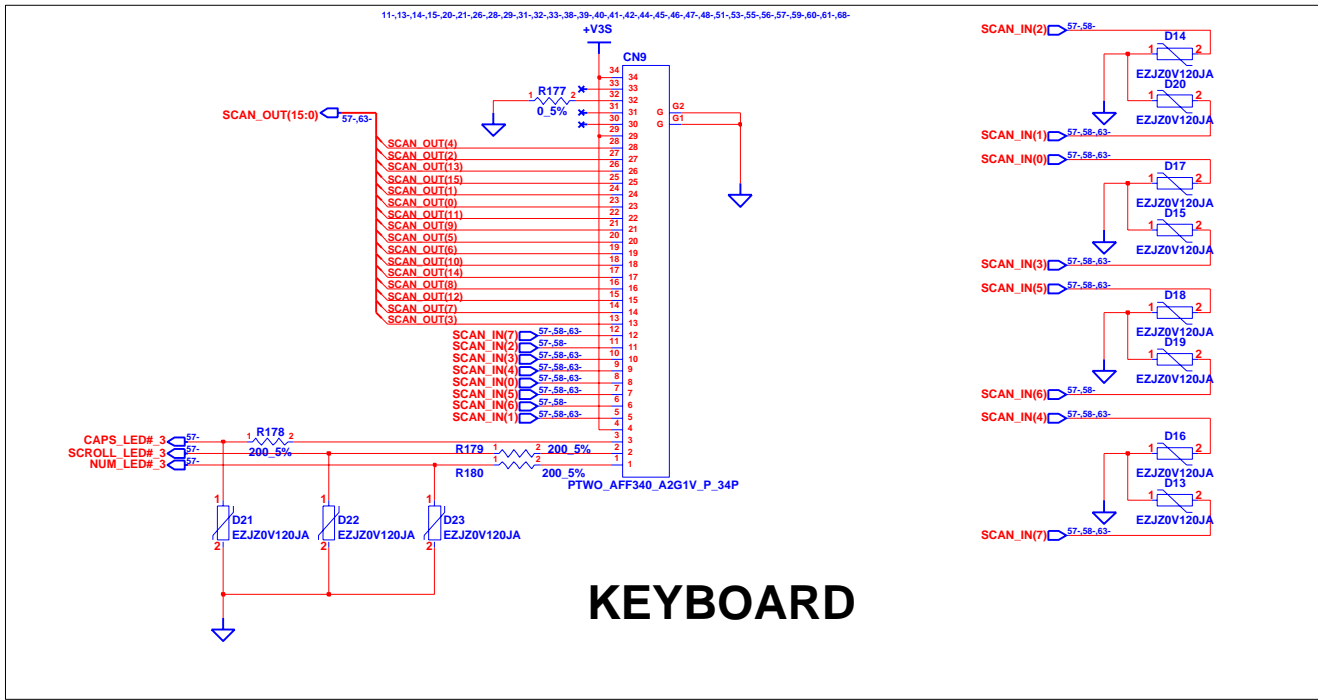


INVENTEC

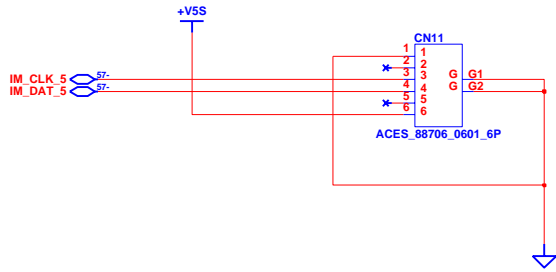
TITLE			
Miami10G BLUETOOTH			
SIZE	CODE	DOC. NUMBER	REV
A3	CS	1310A21116	A03



INVENTEC			
TITLE Miami10G			
SIM CARD & 3G CONN			
SIZE A3	CODE CS	DOC. NUMBER 1310A21116	REV A03
CHANGE by <i>Drawer Name</i>		17-May-2007	
SHEET		56	OF 69



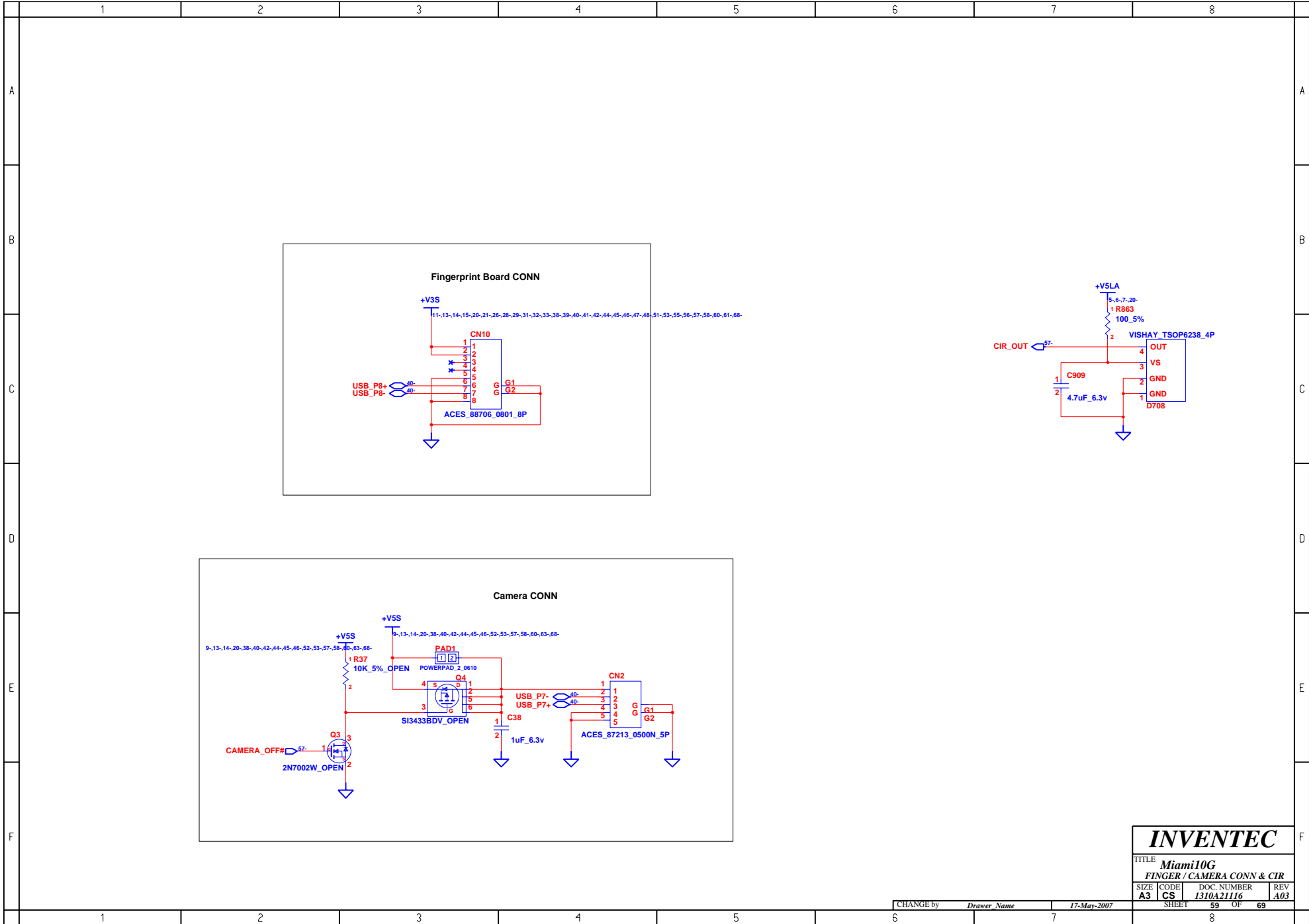
KEYBOARD



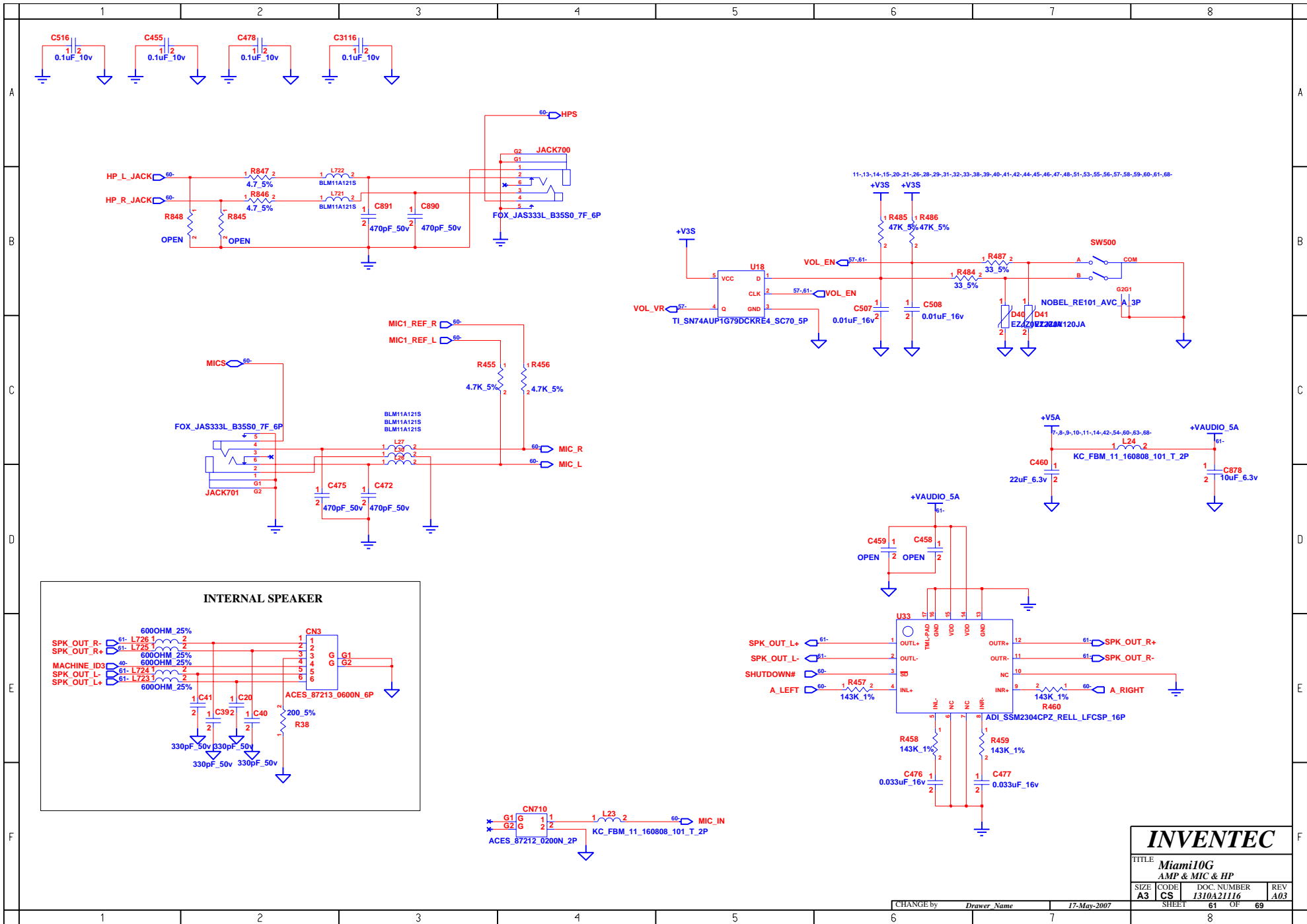
INVENTEC

TITLE			
Miami10G			
K/B & TP/B CONN			
SIZE	CODE	DOC. NUMBER	REV
A3	CS	1310A21116	A03

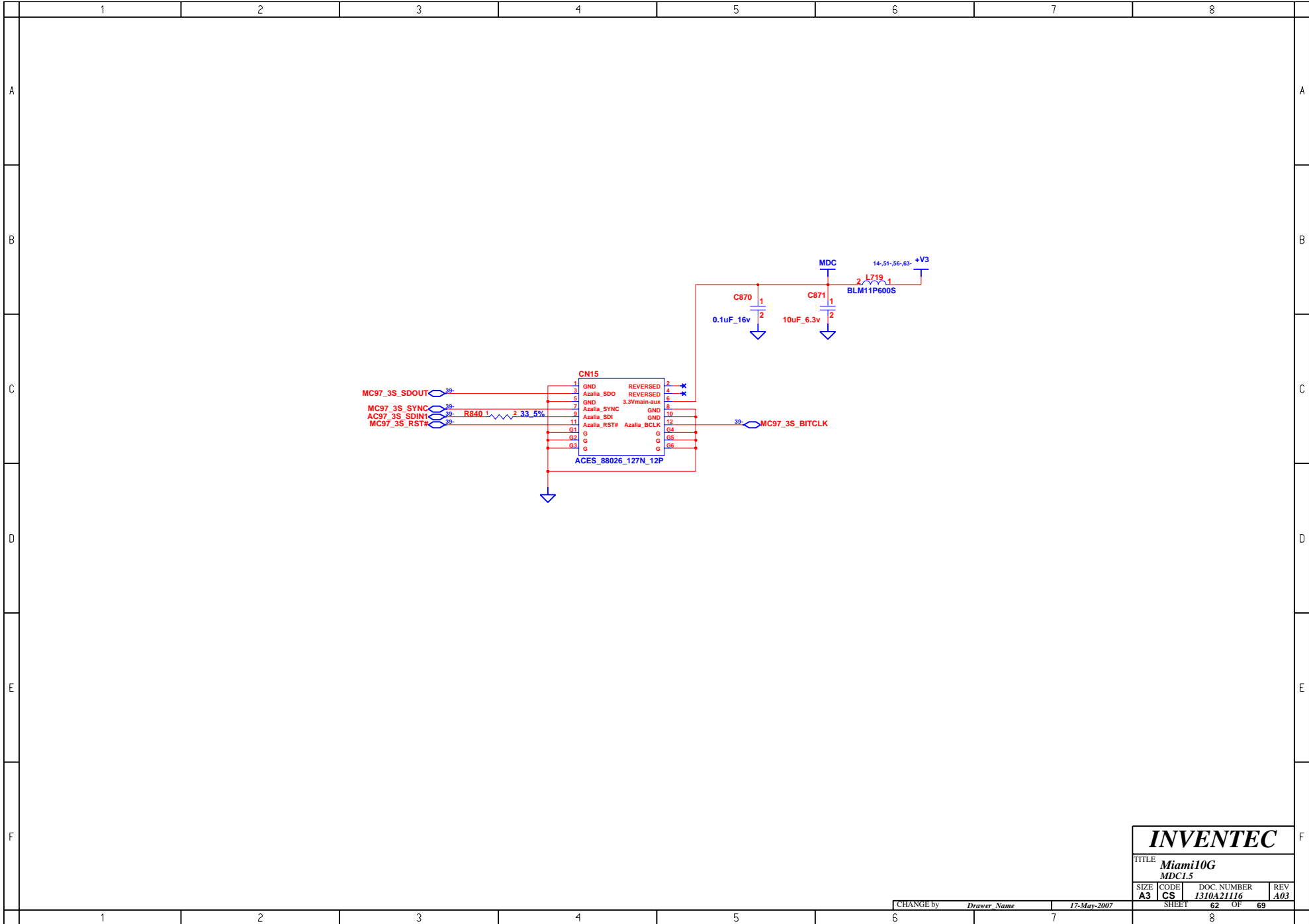
CHANGE by	Drawer Name	17-May-2007	SHEET	58	OF	69
-----------	-------------	-------------	-------	----	----	----



INVENTEC			
TITLE Miami10G			
FINGER / CAMERA CONN & CIR			
SIZE	CODE	DOC. NUMBER	REV
A3	CS	1310A21116	A03



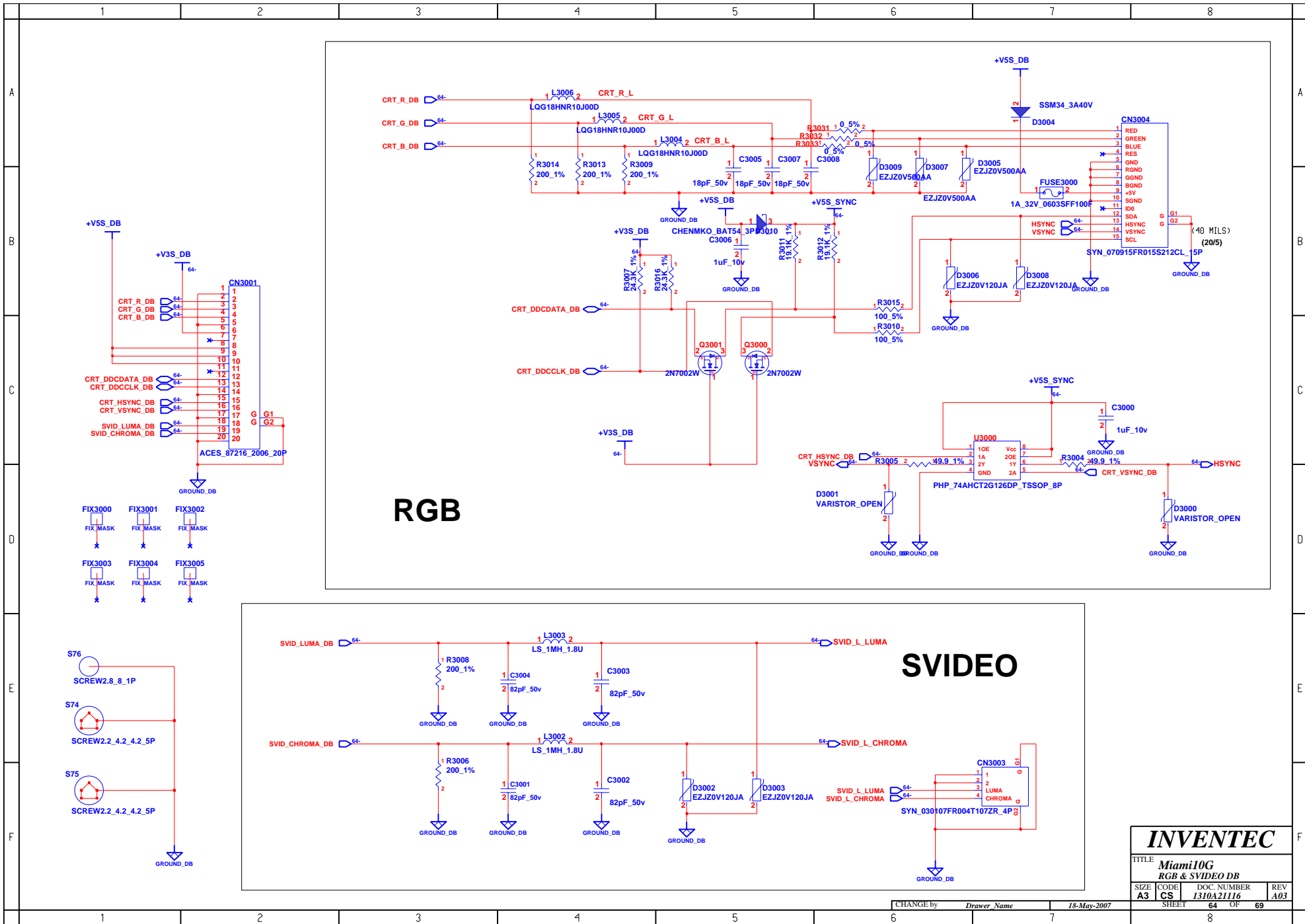
INVENTEC			
TITLE Miami10G AMP & MIC & HP			
SIZE A3	CODE CS	DOC. NUMBER 1310A21116	REV A03
CHANGE by <i>Drawer Name</i>		17-May-2007	
SHEET 61		OF 69	



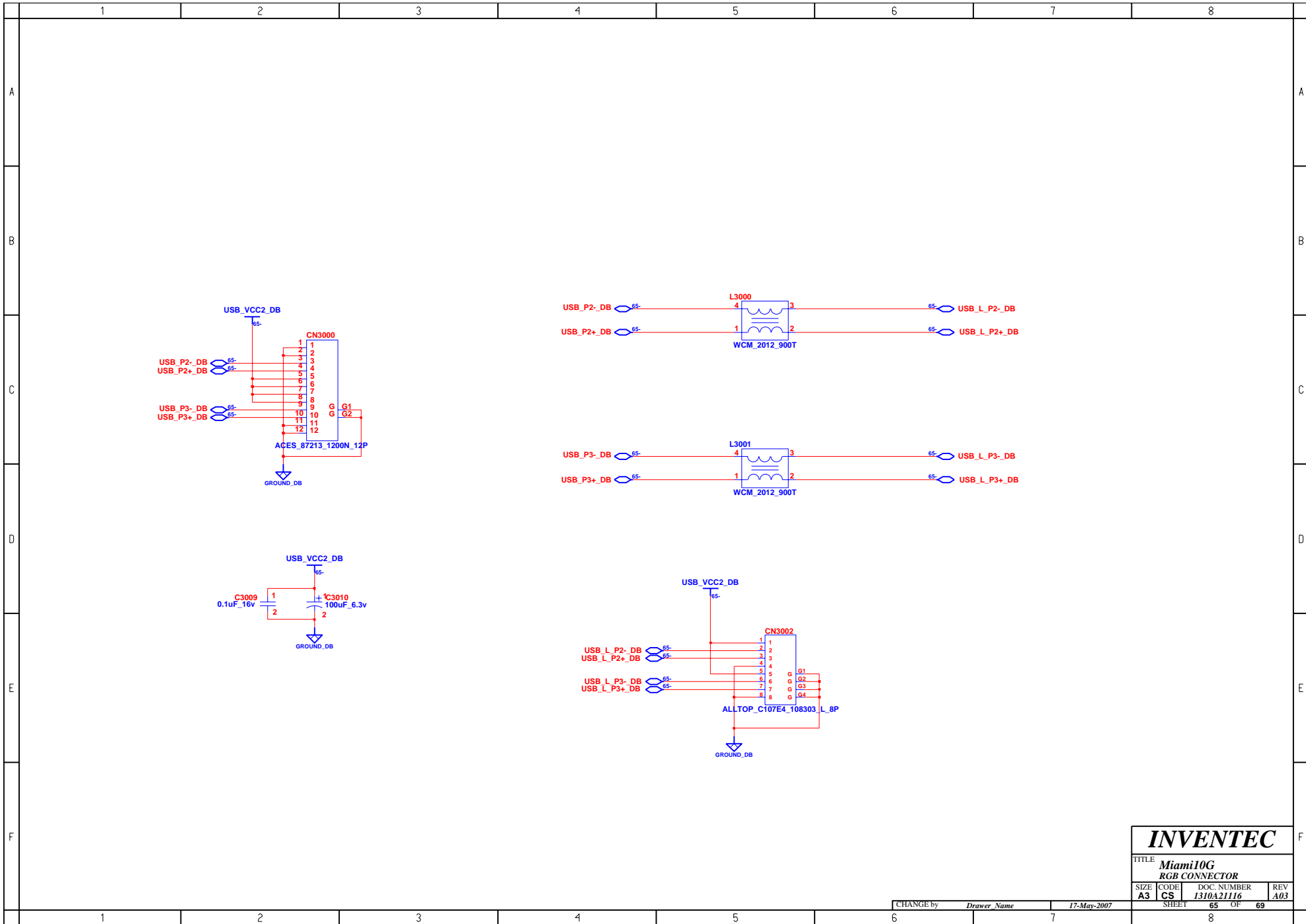
INVENTEC

TITLE
Miami10G
MDCL5

SIZE A3	CODE CS	DOC. NUMBER 1310A21116	REV A03
-------------------	-------------------	----------------------------------	-------------------



INVENTEC			
TITLE Miami10G RGB & SVIDEO DB			
SIZE A3	CODE CS	DOC. NUMBER 1310A21116	REV A03
CHANGE by <i>Drawer Name</i>		18-May-2007	
SHEET		64 OF 69	



INVENTEC

TITLE
Miami10G
RGB CONNECTOR

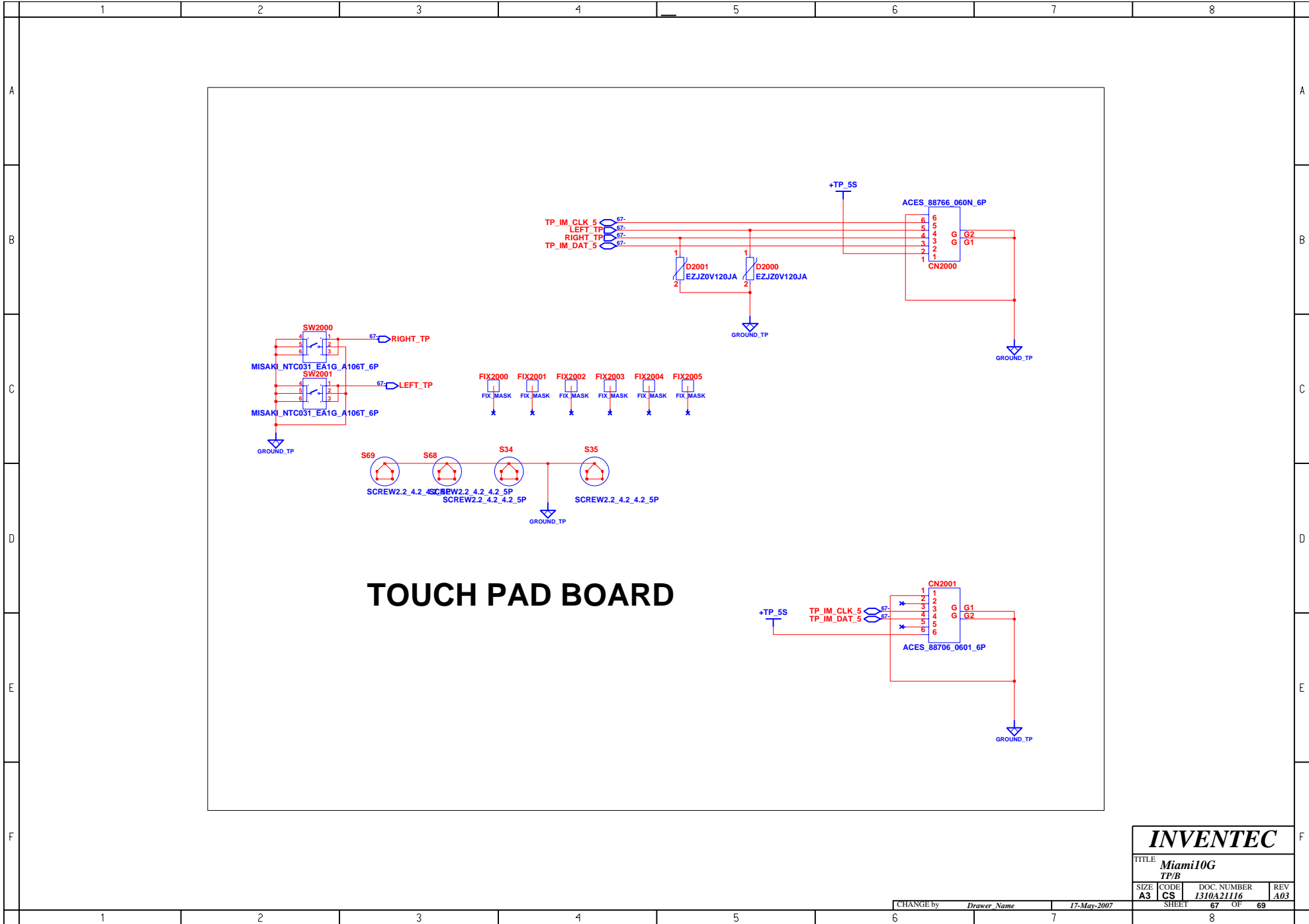
SIZE A3	CODE CS	DOC. NUMBER 1310A21116	REV A03
-------------------	-------------------	----------------------------------	-------------------

CHANGE by *Drawer Name* 17-May-2007

SHEET 65 OF 69

	1	2	3	4	5	6	7	8	
A									A
B									B
C									C
D									D
E									E
F									F
	1	2	3	4	5	6	7	8	

INVENTEC			
TITLE <i>Miami10G LED BOARD / CNN</i>			
SIZE A3	CODE CS	DOC. NUMBER <i>1310A21116</i>	REV A03
CHANGE by <i>Drawer Name</i>		17-May-2007	
SHEET		66	OF 69



TOUCH PAD BOARD

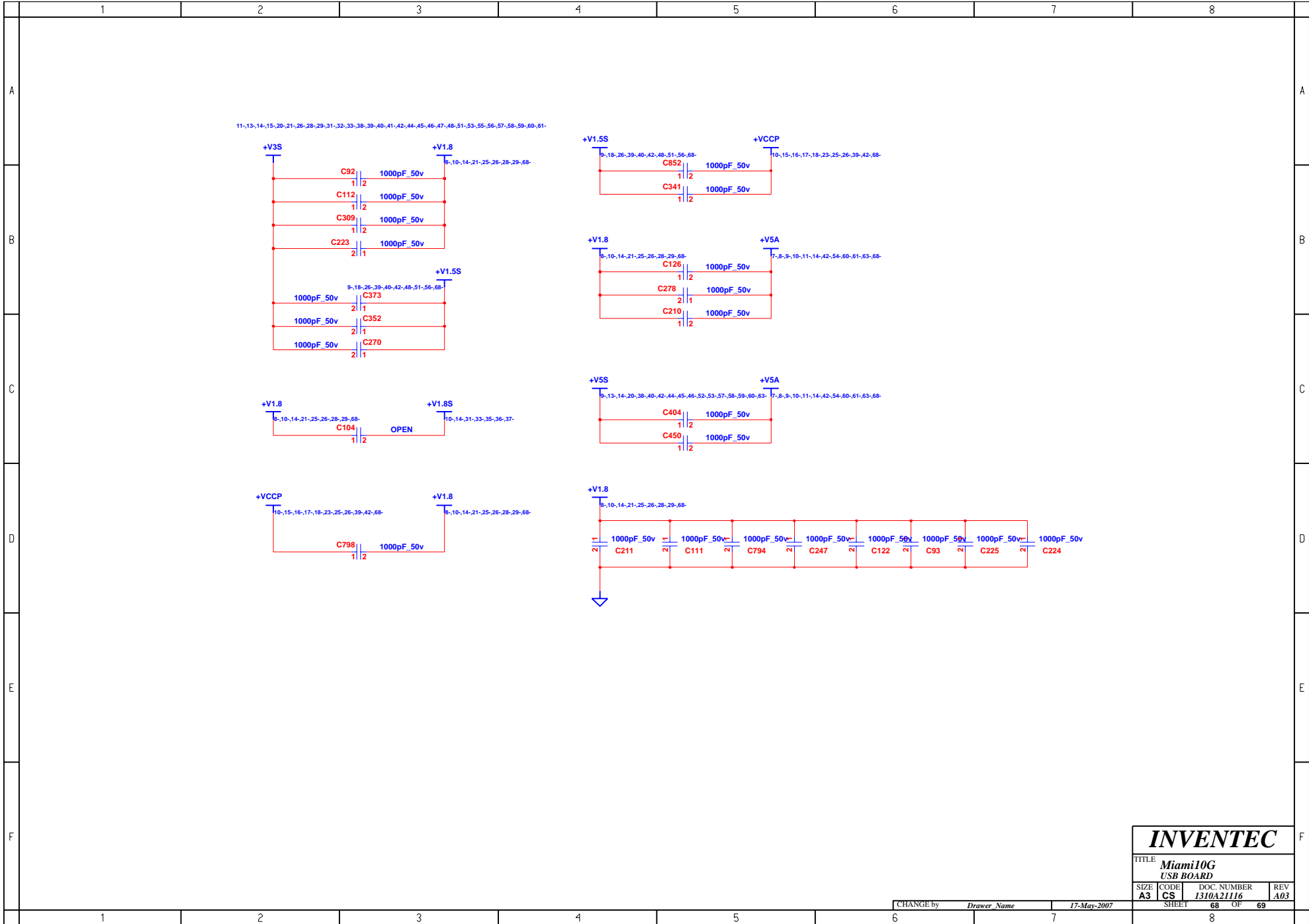
INVENTEC

TITLE *Miami10G*
TP/B

SIZE	CODE	DOC. NUMBER	REV
A3	CS	1310A21116	A03

CHANGE by *Drawer Name* 17-May-2007

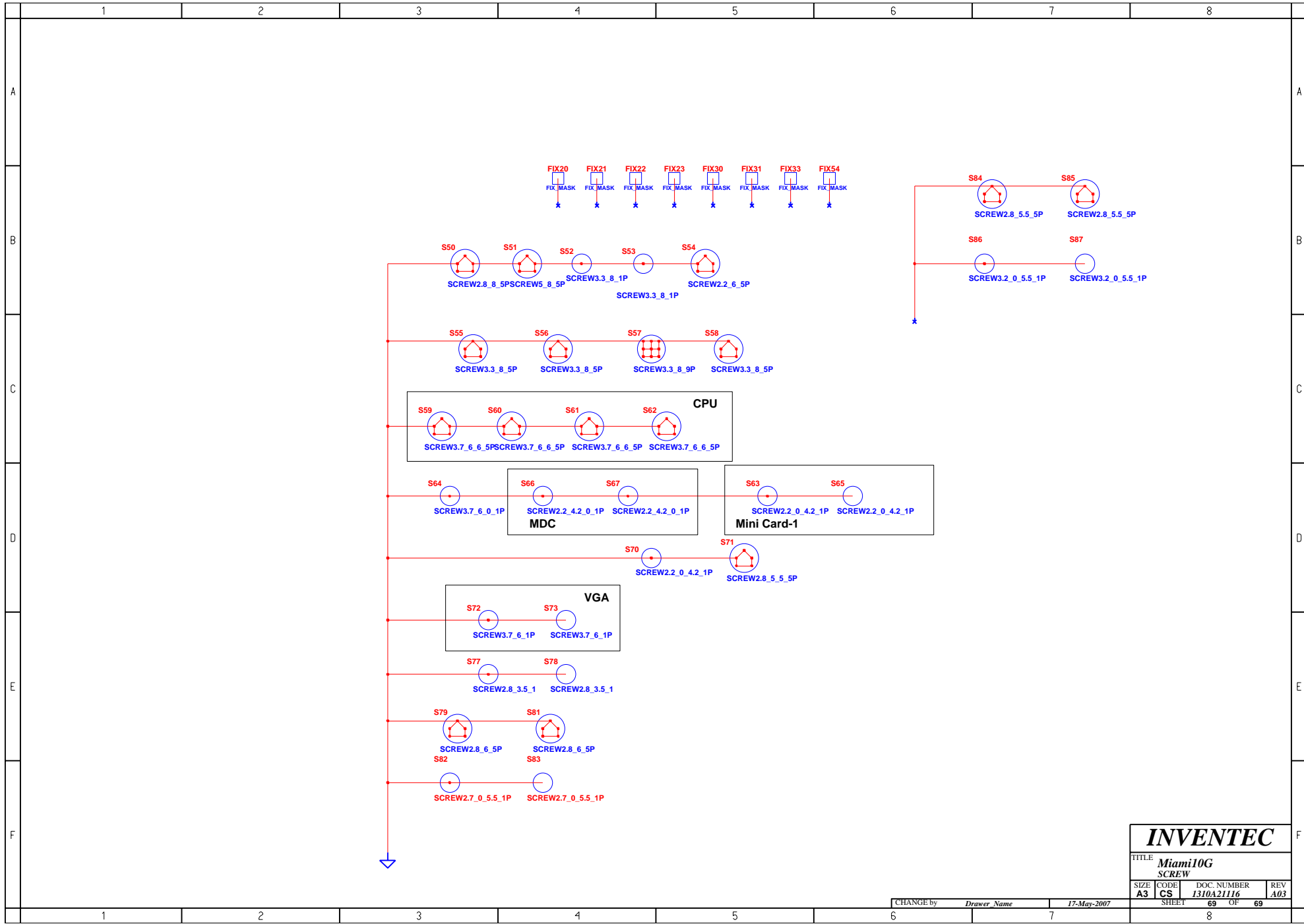
SHEET 67 OF 69



INVENTEC

TITLE *Miami10G*
USB BOARD

SIZE	CODE	DOC. NUMBER	REV
A3	CS	1310A21116	A03



INVENTEC			
TITLE <i>Miami10G</i>			
SCREW			
SIZE	CODE	DOC. NUMBER	REV
A3	CS	1310A21116	A03
CHANGE by <i>Drawer Name</i>		17-May-2007	
SHEET		69	OF 69